

EP中力

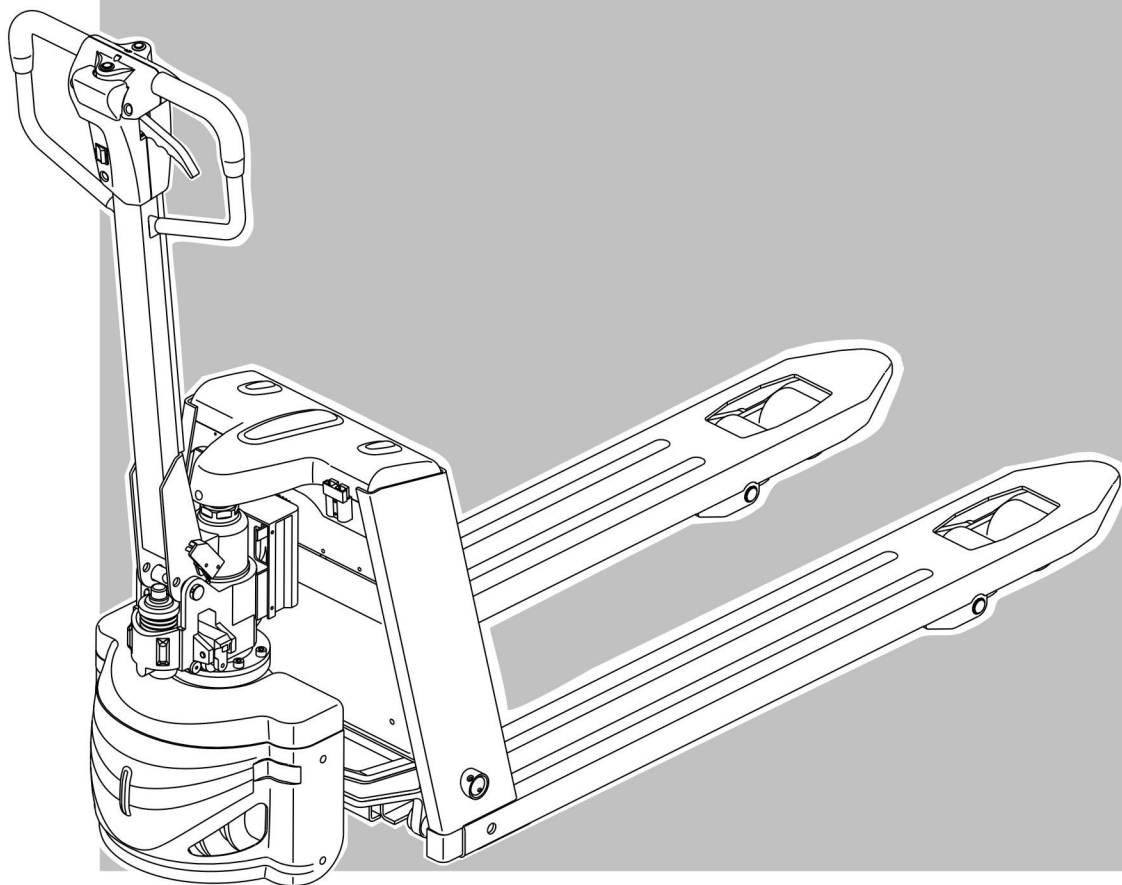
EPT20-15EHJ

Semi-electric Pallet Truck

半电动搬运车

Parts Manual

零件目录



CE

CE CERTIFICATE

PARTS ORDERING INSTRUCTIONS

HOW TO ORDER

When you order, supply the part number, quantity, model and serial numbers of your machine. Supplying this information will assure prompt, efficient handling of your order.

Since your dealer carries many parts in stock and maintains up-to-date prices on all parts, he will be able to process your order immediately. If, for some reason, the part is not in stock, he will order it from the factory. In either event, he maintains a current file of service manuals, which give all available parts ordering or technical information.

WHERE TO ORDER

Always order parts from the dealer who sold you your truck. If it is necessary for the dealer to order parts from the factory, he is able to get prompt service for you. Parts are shipped in accordance with shipping instructions given on the order.

INSTRUCTIONS FOR RETURNING PARTS

Under NO CIRCUMSTANCES will parts be accepted at the factory for credit without prior approval . We cannot accept responsibility for parts returned without authorization.

If you have some parts which must be returned, contact your dealer. If he believes parts should be returned, he will arrange for authorization to return the parts.

CHANGES

When changes are made to the machine, revised pages for this manual will be issued. These pages must be inserted in your parts manual as soon as they are received. Failure to keep your parts manuals up to date will result in confusion and may cause you to order wrong parts.

EP EQUIPMENT CO.,LTD.

Address: XIAQUAN,DIPU,ANJI,ZHEJIANG,CHINA

Tel:86-571-28035626/28035657

Fax:86-571-28035616

Net:www.ep-ep.com

Email:epparts@ep-ep.com

ALL RIGHT RESERVED COPYRIGHT

PM1121 12.17

零件订购说明

如何订购

当您订购的时候，您需要提供搬运车零件的编号，数量，型号和序列号。提供这些信息能够保证您的订购更加的高效。

因为您的经销商有很多零件的存货，而且需要保持所有零件的价格是最新的，所以他会尽快地处理您的订购需求。假如因为某些原因，存货中没有这个零件，那么他会从公司订货。无论怎么样的情况，他手里都会有一份服务手册文件，它能提供所有可用的零件的订购信息或者技术信息。

订购地点

当您需要订购零件时，请到销售给您搬运车的经销商那里订购。如果经销商有必要从公司订购零件，他能为您提供快捷的服务。根据您的订购信息，零件和它对应的操作说明会一起装好。

零件的退还说明

一般情况下，因为信用的关系，退还的零件没有事先的同意，是不会被公司认可的。我们不会对没有经过授权但退还过来的零件负责。

如果您有一些零件一定要退还，请联系您的经销商。若经销商确认零件可以退还，则其会安排授权要退还的零件。

技术修改

当搬运车技术有修改时，这本手册的修正页会重新发行。当您拿到这些修正页时，您一定要立即把它们插入到您的零件手册中。若没有及时的更新您的零件手册，则可能会导致您订购、维护等方面的错误。

浙江中力机械有限公司

地址：浙江省安吉县递铺镇霞泉村中力园区

电话：86-571-28027600/28035663

传真：86-571-28035616

网址：www.ep-ep.com

邮箱：epparts@ep-ep.com

版权归本公司所有

PM1121 12.17

GENERAL INFORMATION

INDEX

This parts manual is arranged for easy identification of parts .The index at the front of the catalog gives location of major groups and assemblies.

PART LIST

The **Index**, describes the item on the Figure you are looking at. The **Part No.** is a numerical description of the item and the part ordering number. The **Part Name** is a description of the part number in alphabetical form. The **No.** is the quantity used on the machine.The **Applied Date** is a description when the part is applicable.The **Remark** is the explanation of the part for a supplement,such as the model,the capability, the characteristic,etc.

HOW TO READ PARTS MANUAL

HELP 1:

	Index	Part No.	Part Name	No.	Applied Date	Remark
	序号	零件编号	零件名称	数量	适用日期	备注
A	18	0000-000667-00	Bearing 61905Z	1		
	19	1115-200004-00	Helical Gear	1		
		1115-200005-00	Helical Gear	1		
	20	0000-000680-00	Bearing 16003Z	1		
B	22	2108-540000-00	Bracket	1		
	23	1115-500005-00-01	Battery	2		65AH / 12V
	23	1115-500005-00-02	Battery	2		85AH / 12V
	24	0000-000378-00	Screw M4×16	2		
C	8	ck11-560003-00	JC100 Switch	1		
	9	01 ck11-520008-00	JC100 Switch Wire Harness	1		Cancelled/取消
		02 ck11-520008-0A	JC100 Switch Wire Harness	1		
	10	0000-000001-00	Screw M6×20	2		

A: The part of Index 19 is a discreteness with two kings of parts.It denotes **Not Sold Separately**.

B: The part of Index 23 is **Optional**.

C: The part of index 9 is improved and upgraded. Please use the **New Part Number** when ordering.

D: The part of Index 7 has an **Applicability**,because it's our policy to constantly improve our products.

The part of Index 11 is same ,but the Part Number is changed.And please use the new Part Number when you order this part.

	Index	Part No.	Part Name	No.	Applied Date	Remark
	序号	零件编号	零件名称	数量	适用日期	备注
D	7	01 2125-410004-00	Cap	1	-071011	
		02 2125-410004-0A	Cap	1	071011-	
	8	0000-000084-00	Ring Wiper 35×43×5-6.5	1		
	9	0000-000370-00	O-ring 40×3.1	1		
	10	2125-410005-00	Ring Back Up 50×45×20	1		
	11	01 0000-000197-00	Rod Packing 40×50×6	1		Old
	02 0000-000512-00	Rod Packing 40×50×6	1		New	

1. Record by time

- 070911 : Ending on July 09, 2011.
- 071011- : Beginning on July 10, 2011.

2. Record by serial number

Index	Part No.	Part Name	No.	Applied Date	Remark
序号	零件编号	零件名称	数量	适用日期	备注
7 01	2125-410004-00	Cap	1	-S2016344	
02	2125-410004-0A	Cap	1	S2016345-	
8	0000-000084-00	Ring Wiper 35×43×5-6.5	1		
9	0000-000370-00	O-ring 40×3.1	1		
10	2125-410005-00	Ring Back Up 50×45×20	1		
11 01	0000-000197-00	Rod Packing 40×50×6	1		Old
02	0000-000512-00	Rod Packing 40×50×6	1		New

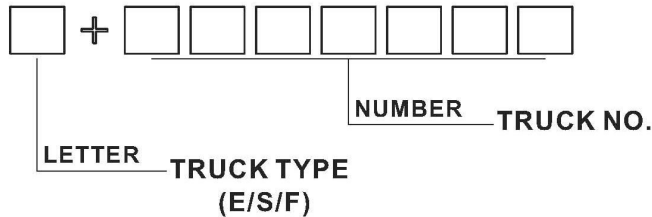
D ⇨

- S2016344 : Ending at S2016344
- S2016345- : Starting at S2016345

There are three types of serial number:

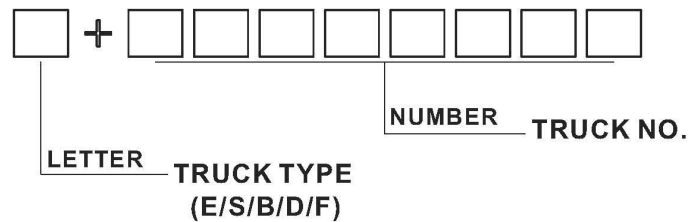
1) 1 (LETTER)+ 7 (NUMBERS)

Applied Date: Up to February 1,2015



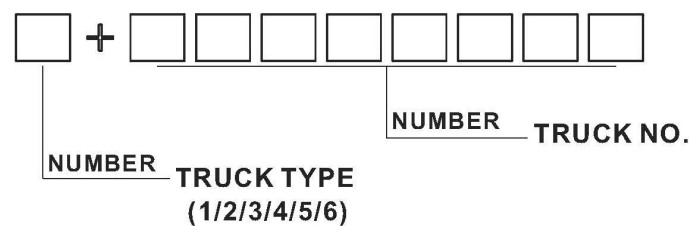
2) 1 (LETTER)+ 8 (NUMBERS)

Applied Date: From February 1,2015 to June 1,2015

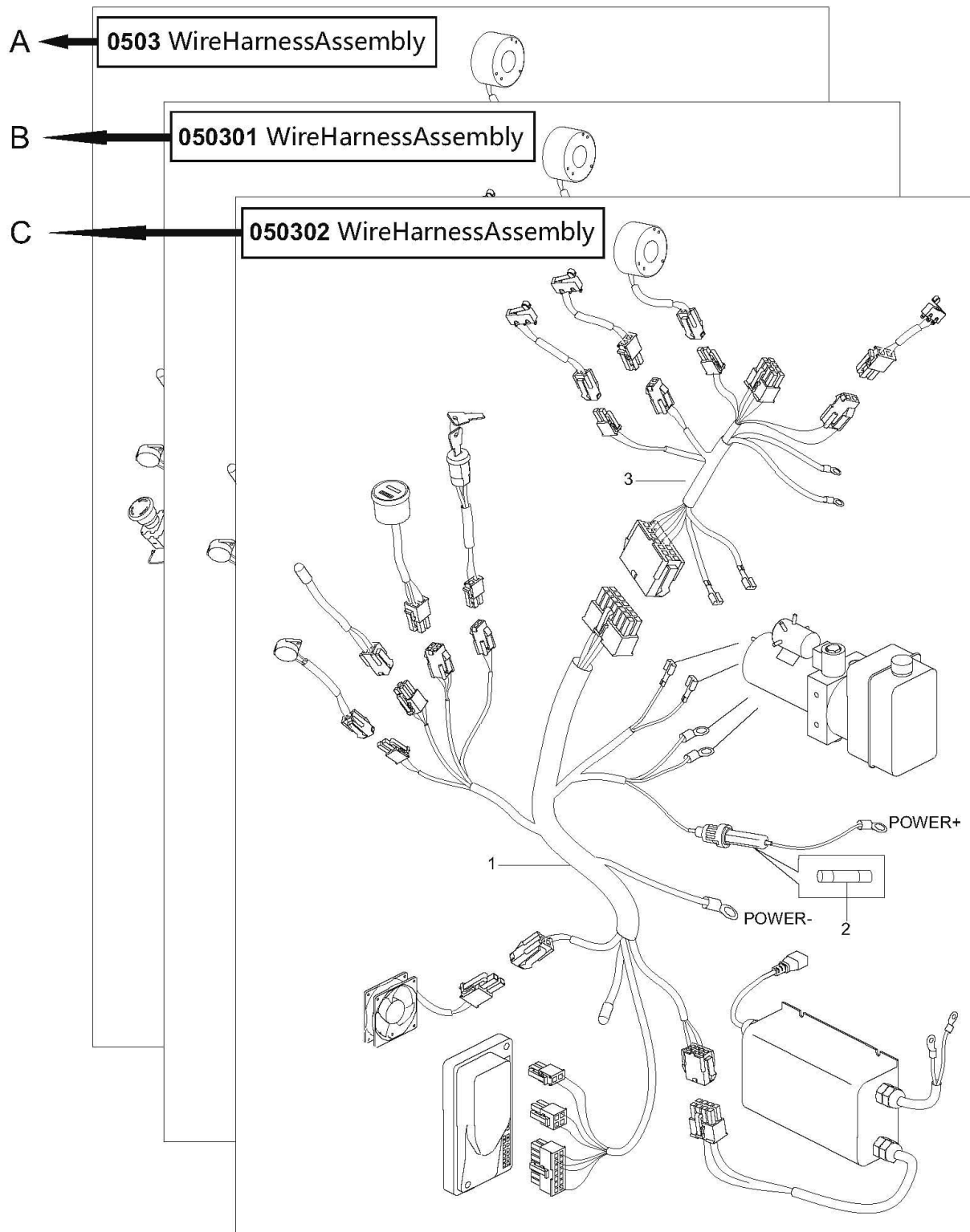


3) 1 (NUMBER)+ 8 (NUMBERS)

Applied Date: From June 1,2015



HELP 2:



A: Section 0503 is the original version.

B: Section 050301 is the version that some parts in the Section 0503 have been changed.

C: Section 050302 is the version that some parts in the Section 050301 have been changed.

When you order, Please locate specific parts information of your truck by the Applied Date of parts in each version.

概要

目录

将零件目录分组成几个易识别的部分，并把主要结构和总成放置在索引目录中。

零件明细表

Index 描述的是在插图上，您想要找的项目。**Part No.**是零件的一系列描述和它的订购号码。**Part Name**是用文字的形式描述零件的号码。**No.**代表的是零件在搬运车上使用的数量。**Applied Date** 表示的是零件适用的时间范围。**Remark** 是用来补充说明零件信息(例如车型、性能和特征等)。

怎么读取零件明目录

帮助 1:

	Index 序号	Part No. 零件编号	Part Name 零件名称	No. 数量	Applied Date 适用日期	Remark 备注
A	18	0000-000667-00	Bearing 61905Z	1		
	19	1115-200004-00	Helical Gear	1		
		1115-200005-00	Helical Gear	1		
	20	0000-000680-00	Bearing 16003Z	1		
B	22	2108-540000-00	Bracket	1		
	23	1115-500005-00-01	Battery	2		65AH / 12V
	23	1115-500005-00-02	Battery	2		85AH / 12V
	24	0000-000378-00	Screw M4×16	2		
C	8	ck11-560003-00	JC100 Switch	1		
	9	01 ck11-520008-00	JC100 Switch Wire Harness	1		Cancelled/取消
		02 ck11-520008-0A	JC100 Switch Wire Harness	1		
	10	0000-000001-00	Screw M6×20	2		

A: 序号 19 表示的是一个由两种零件组成的组件，不以单件形式出售。

B: 序号 23 表示该零件有几个品种可供您的选择。

C: 序号 9 表示该零件进行了改进和升级，订购时请使用新的零件编码。

D: 序号 7 表示该零件有一个适用的时间范围。这是因为我们在不断地进行产品的升级。

序号 11 表示的都是同一种零件，只是零件编码有所变更。因此，当您订购这类零件时，请您使用新的零件编码。

	Index 序号	Part No. 零件编号	Part Name 零件名称	No. 数量	Applied Date 适用日期	Remark 备注
D	7	01 2125-410004-00	Cap	1	-071011	
		02 2125-410004-0A	Cap	1	071011-	
	8	0000-000084-00	Ring Wiper 35×43×5-6.5	1		
	9	0000-000370-00	O-ring 40×3.1	1		
	10	2125-410005-00	Ring Back Up 50×45×20	1		
	11	01 0000-000197-00	Rod Packing 40×50×6	1		Old
	02 0000-000512-00	Rod Packing 40×50×6	1		New	

1. 用时间记录

- 070911 : 截止到 2011 年 7 月 09 日

071011- : 起始于 2011 年 7 月 10 日

2. 用序列号记录

Index 序号	Part No. 零件编号	Part Name 零件名称	No. 数量	Applied Date 适用日期	Remark 备注
7	01 2125-410004-00	Cap	1	-S2016344	
02	2125-410004-0A	Cap	1	S2016345-	
8	0000-000084-00	Ring Wiper 35×43×5-6.5	1		
9	0000-000370-00	O-ring 40×3.1	1		
10	2125-410005-00	Ring Back Up 50×45×20	1		
11	01 0000-000197-00	Rod Packing 40×50×6	1		Old
02	0000-000512-00	Rod Packing 40×50×6	1		New

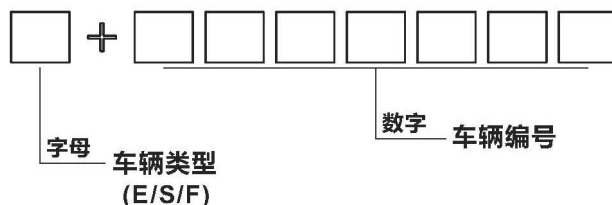
-S2016344 : 截止序列号 S2016344

S2016345- : 起始序列号 S2016345

有三种序列号形式:

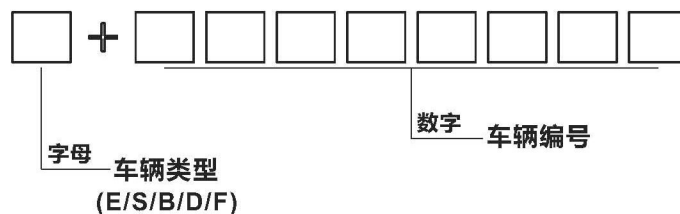
1) 1 (字母) + 7 (数字)

适用时间: 截止到 2015 年 2 月 1 日



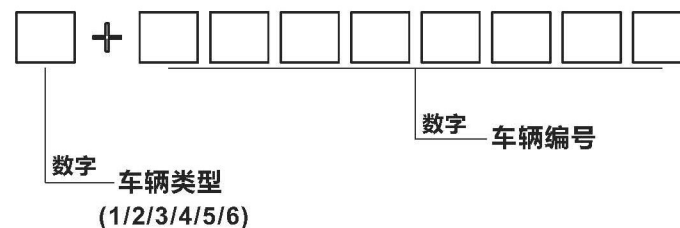
2) 1 (字母) + 8 (数字)

适用时间: 2015 年 2 月 1 日至 2015 年 6 月 1 日

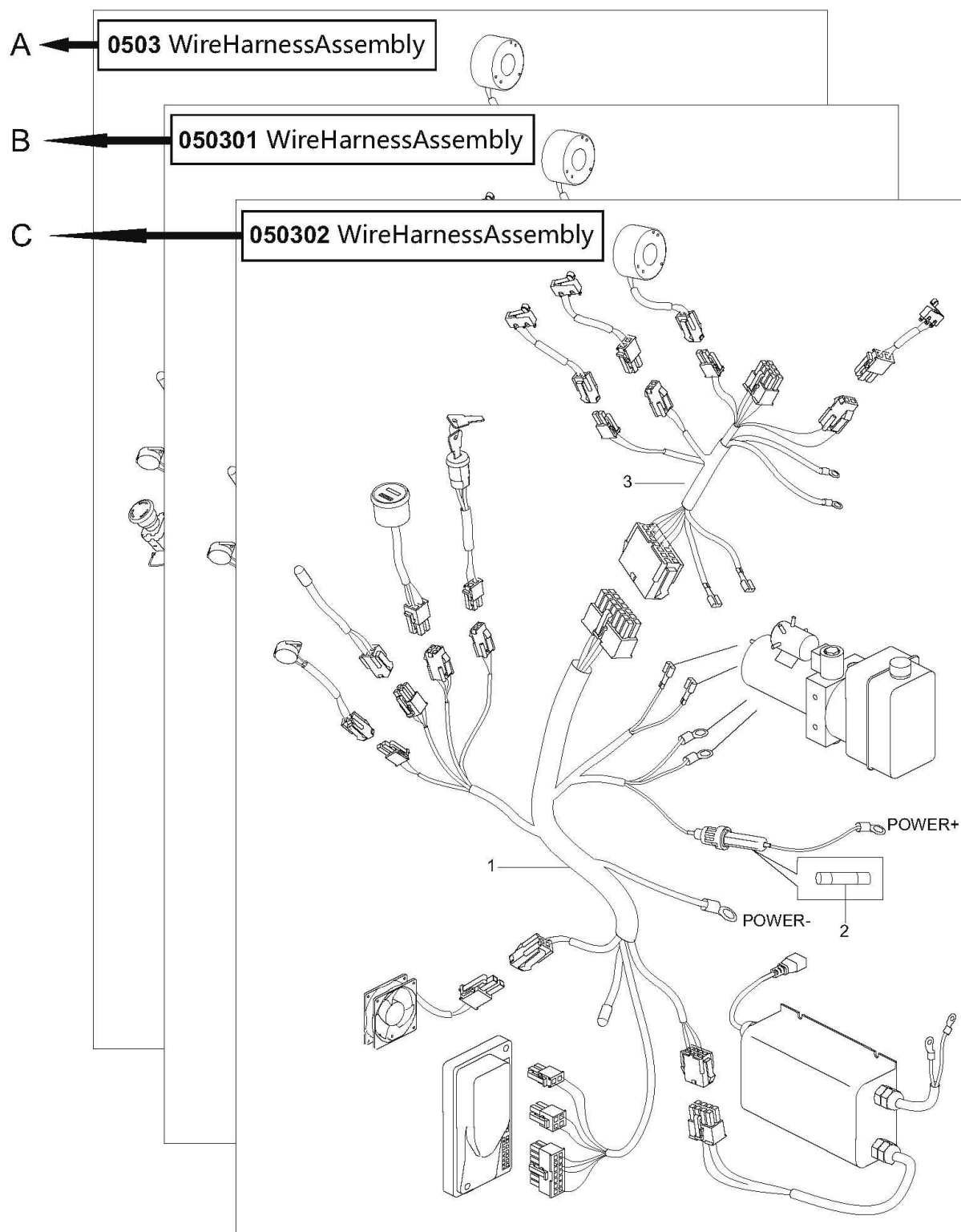


3) 1 (数字) + 8 (数字)

适用时间: 2015 年 6 月 1 日至今



帮助 2:



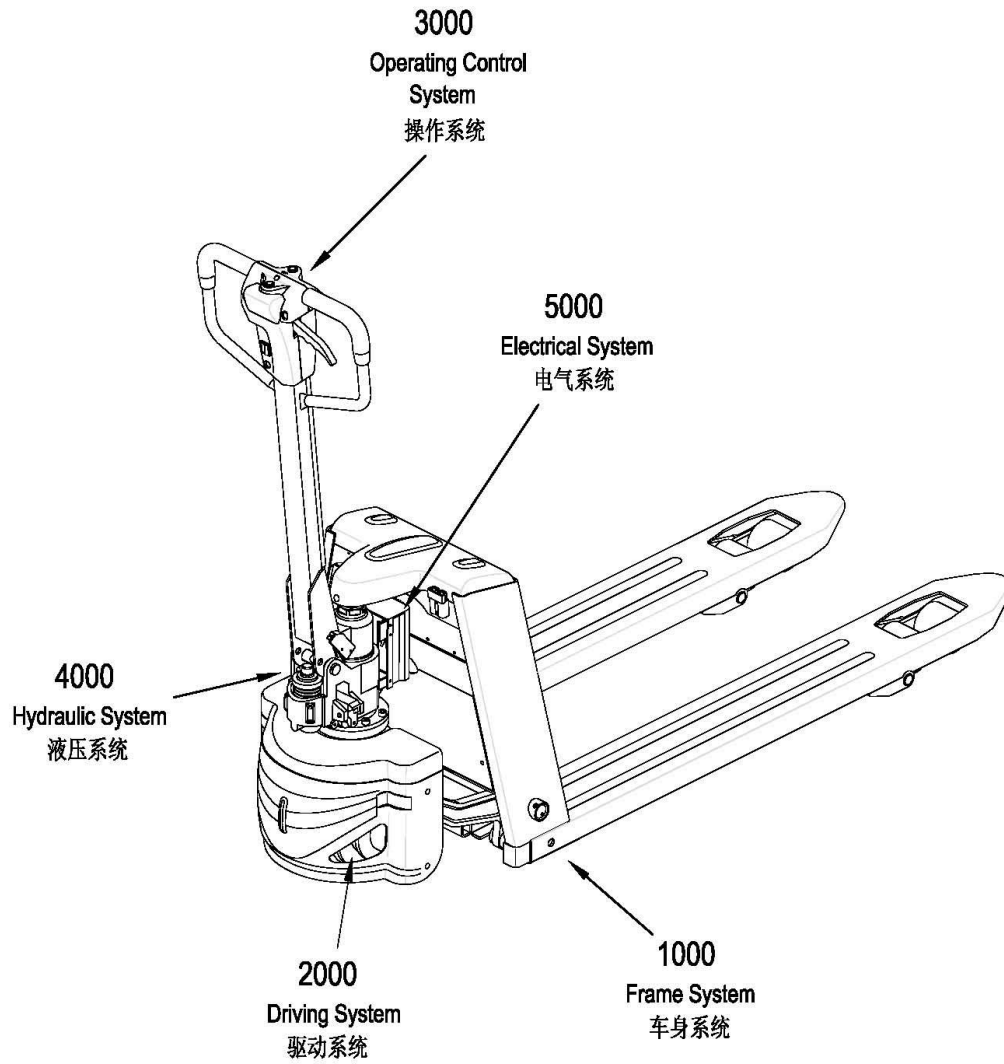
A: 章节 0503 表示原始版本;

B: 章节 050301 表示在原始版本 (章节 0503) 上零件有所变更;

C: 章节 050302 表示在变更版本 (章节 050301) 上零件有所变更。

当您订购零件时, 请根据每个版本中零件的适用时间来判断您所选购车型的零件信息。

Major Assemblies



WARNING: Note that illustrations of assemblies and components may not necessarily conform to the exact installation as they appear on your truck. But this Manual can help you locate specific parts information of your truck.

注意: 表达在零件目录上的总成和结构内容可能不会完全地出现在您的车型上，但是您可以在零件目录中查询到您所选购车型的零件信息。

Index 目录

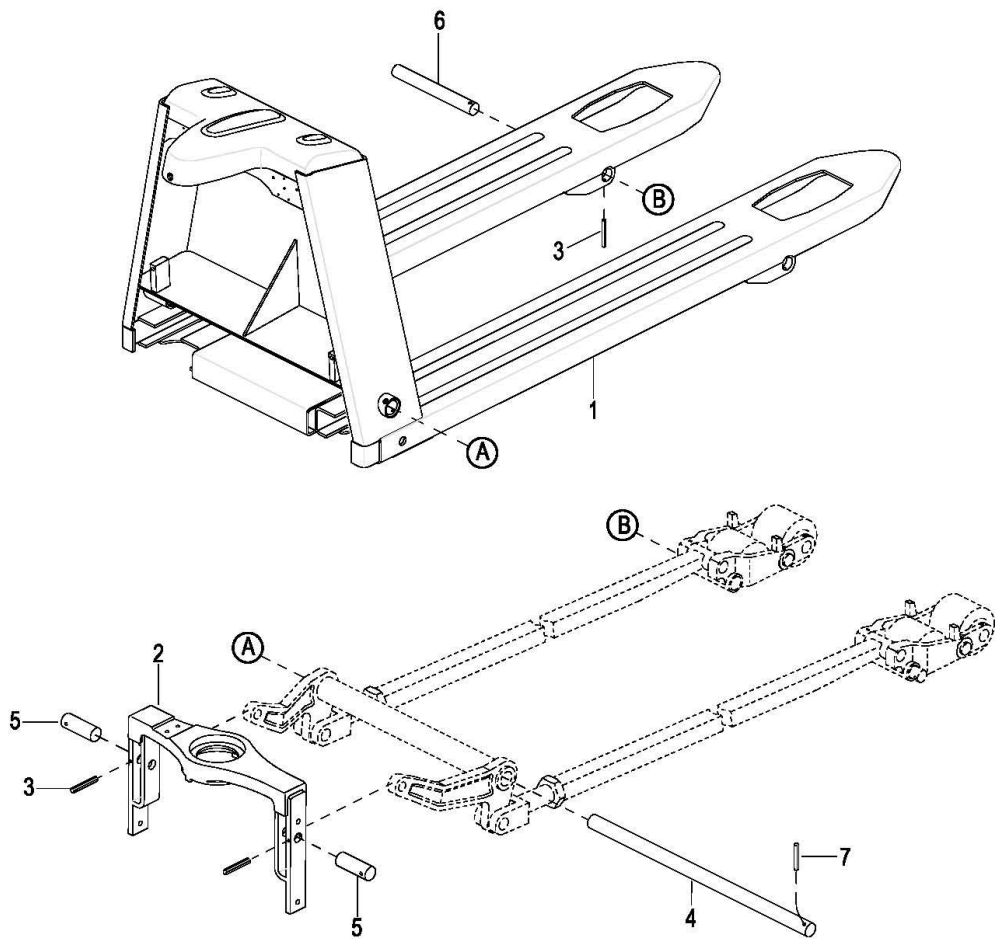
1000Frame System 车身系统	
0101 Frame System (Double Wheel)车身系统 (双轮)	3
0102 Frame System (Single Wheel)车身系统 (单轮)	5
0103 Connecting Link (Double Wheel)连杆总成 (双轮)	7
0104 Connecting Link (Single Wheel)连杆总成 (单轮)	9
0105 Load Wheel (Double Wheel)承载轮 (双轮)	11
0106 Load Wheel (Single Wheel)承载轮 (单轮)	13
0107 Cover Assembly 外罩总成.....	15
2000Driving System 驱动系统	
0201 Driving System 驱动系统.....	20
3000Operating Control System 操作系统	
0301 Operating Control System 操作系统.....	25
0302 Control Pod Assembly 操作手柄头总成.....	27
4000Hydraulic System 液压系统	
0401 Hydraulic System 液压系统.....	34
5000Electrical System 电气系统	
0501 Electrical System 电气系统.....	37
0502 Wire Harness Assembly 线束总成.....	39
0503 Cable Assembly 电缆总成.....	44

1000

Frame System

车身系统

0101 Frame System (Double Wheel)



0101 Frame System (Double Wheel)

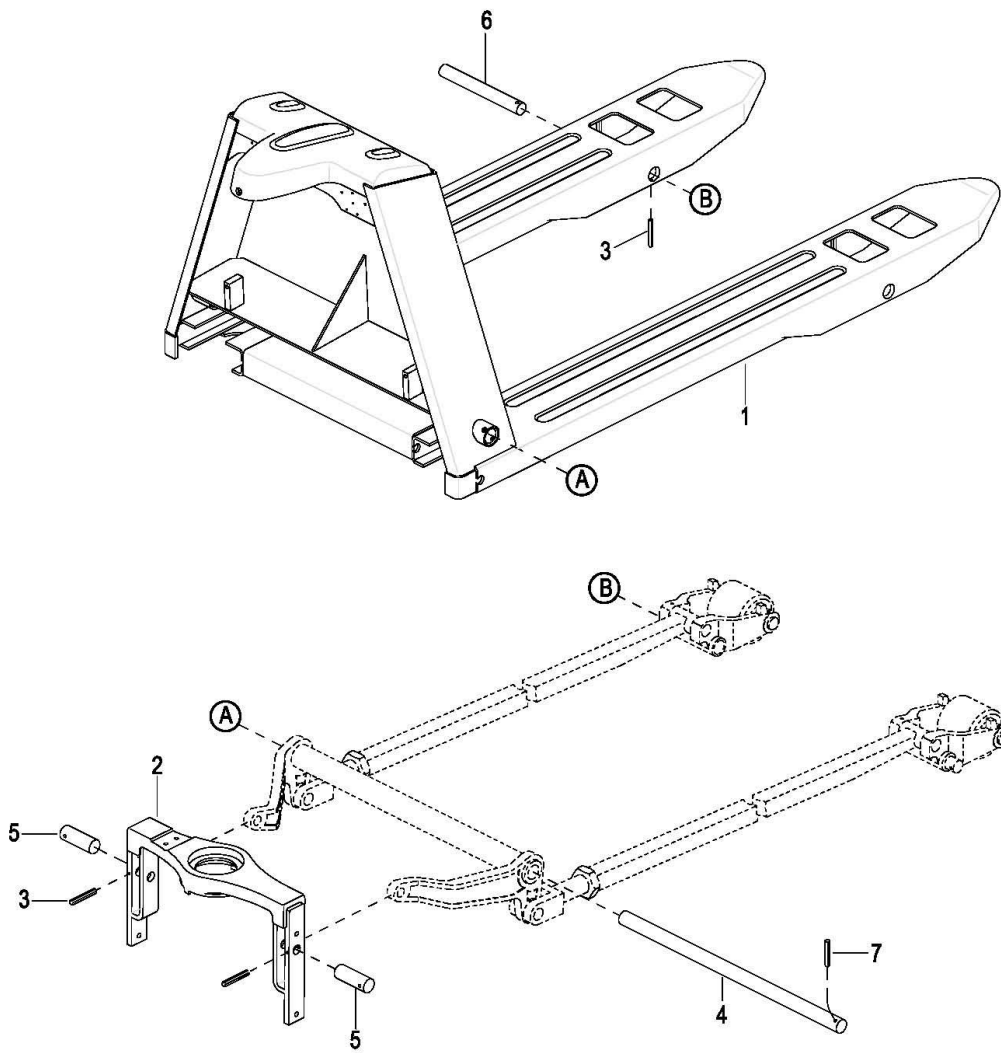
车身系统 (双轮)

Index	Part No.	Part Name	No.	Applied Date	Remark
序号	零件编号	零件名称	数量	适用日期	备注
1	See Form 1.1	Front Frame	1		前车架 见表 1.1
2	1121-120000-00	Back Frame	1		后车架
3	01 0000-000708-00	Round Pin $\phi 5 \times 35$	4	-424150330	弹性圆柱销
	02 0000-001456-00	Round Pin $\phi 5 \times 35$	4	424150331-	弹性圆柱销, 卷制
4	See Form 1.1	Long Shaft	1		长支撑轴 见表 1.1
5	1121-130002-00	Short Shaft	2		短销轴
6	1115-130004-0A	Shaft	2		轮架安装轴
7	0000-001333-00	Pin $\phi 5 \times 35$	1		弹性圆柱销, 卷制

Form 1.1

Frame Width (W)		Fork Length (L)		Long Shaft 长支撑轴编号 (Item 4 , Page 3)	Fork Frame 前车架编号 (Item 1 , Page 3)	Applied Date 适用日期
mm	in	mm	in			
560	22	1150	45	1121-130001-00	1121-110000-00-01	-E2314826
		1220	48		1121-110000-0A-01	E2314827-
		915	36		1121-110000-0A-02	
		1000	40		1121-110000-0A-03	
		1070	42		1121-110000-0A-04	
685	27	1150	45	1121-130001-10	1121-110000-20-01	-E2314826
		1220	48		1121-110000-2A-01	E2314827-
		915	36		1121-110000-2A-02	
		1000	40		1121-110000-2A-03	
		1070	42		1121-110000-2A-04	
					1121-110000-2A-05	

0102 Frame System (Single Wheel)



0102 Frame System (Single Wheel)

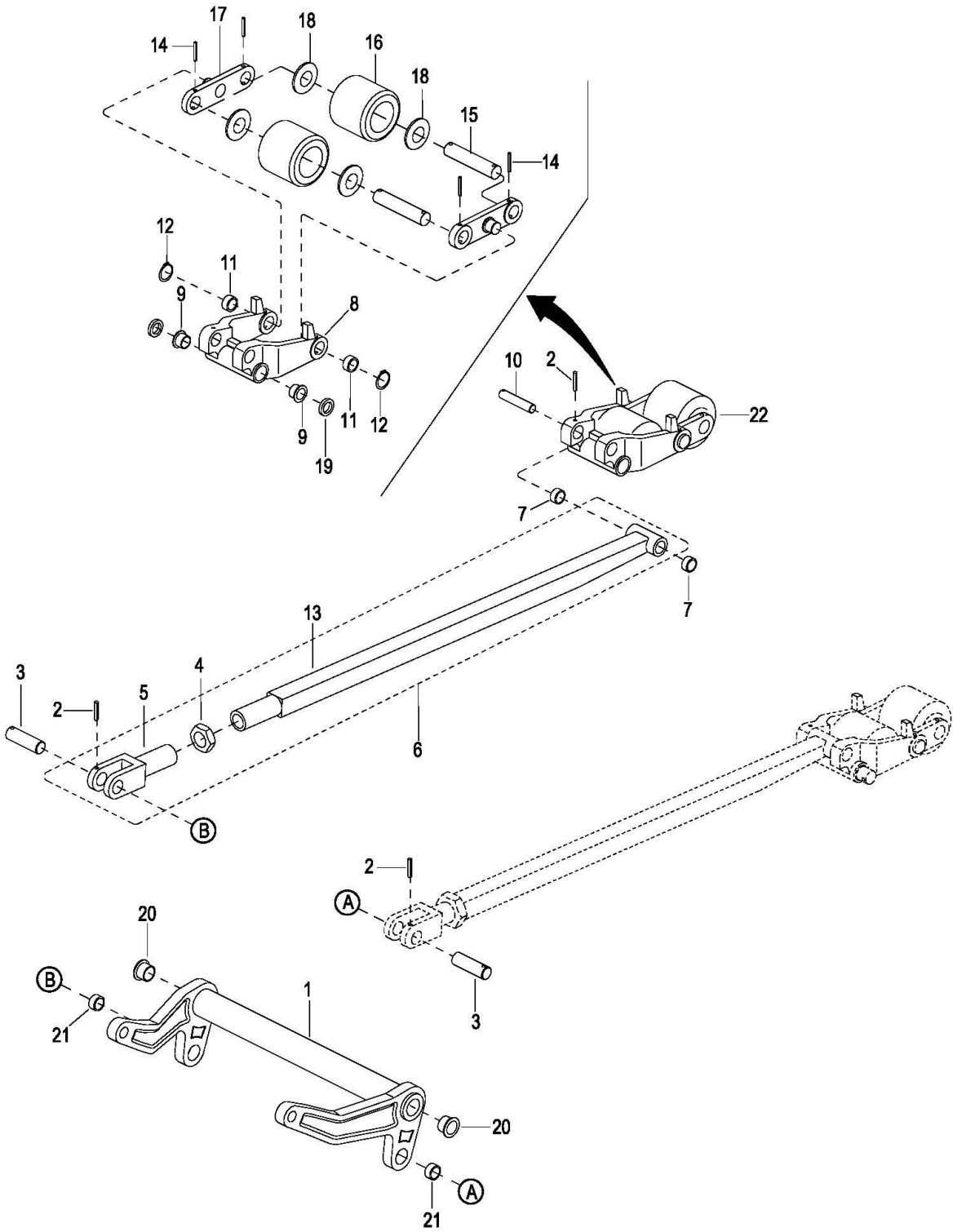
车身系统 (单轮)

Index 序号	Part No. 零件编号	Part Name 零件名称		No. 数量	Applied Date 适用日期	Remark 备注
1	See Form 1.2	Front Frame	前车架 见表 1.2	1		
2	1121-120000-00	Back Frame	后车架	1		
3	01 0000-000708-00	Round Pin $\phi 5 \times 35$	弹性圆柱销	4	-424150330	
	02 0000-001456-00	Round Pin $\phi 5 \times 35$	弹性圆柱销, 卷制	4	424150331-	
4	See Form 1.2	Long Shaft	长支撑轴 见表 1.2	1		
5	1121-130002-00	Short Shaft	短销轴	2		
6	1115-130004-0A	Shaft	轮架安装轴	2		
7	0000-001333-00	Pin $\phi 5 \times 35$	弹性圆柱销, 卷制	1		

Form 1.2

Frame Width (W) 车身宽度		Fork Length (L) 叉脚长度		Long Shaft 长支撑轴编号 (Item 4 , Page 5)	Fork Frame 前车架编号 (Item 1 , Page 5)	Applied Date 适用日期
mm	in	mm	in			
520	20	1070	42	1121-130001-00	1121-110000-30-01	
560	22	1000	40		1121-110000-80-01	
600	24	1070	42		1121-110000-40-01	
685	27	1150	45	1121-130001-10	1121-110000-10-01	-E2314826
		1220	48		1121-110000-1A-01	E2314827-
		915	36		1121-110000-1A-02	
		1000	40		1121-110000-1A-03	
		1070	42		1121-110000-1A-04	
					1121-110000-1A-05	

0103 Connecting Link (Double Wheel)



0103 Connecting Link (Double Wheel)

连杆总成 (双轮)

Index	Part No.	Part Name		No.	Applied Date	Remark
序号	零件编号	零件名称		数量	适用日期	备注
1	See Form 1.3	Down Link	下连杆 见表 1.3	1		
2	01 0000-000708-00	Round Pin $\phi 5 \times 35$	弹性圆柱销	4	-424150330	
	02 0000-001456-00	Round Pin $\phi 5 \times 35$	卷制弹性圆柱销	4	424150331-	
3	1121-130003-00	Shaft	下连杆销轴	2		
4	0000-000101-00	Nut M22 \times 1.5	螺母	2		
5	1121-132001-00	Connector	连接头	2		
6	See Form 1.4	Long Link	可调长连杆 见表 1.4	2		
7	0000-000907-00	Bushing 2020	自润滑轴套	4		
8	1115-130005-0C	Wheel Bracket	轮架	2		
9	0000-000908-00	Bushing 2015F	自润滑翻边轴套	4		
10	1115-130003-00	Shaft	长连杆安装轴	2		
11	0000-000809-00	Bushing 1815	自润滑轴套	4		
12	0000-000653-00	Snap Ring For Hole $\phi 18$	轴用弹簧挡圈	4		
13	See Form 1.4	Long rod	长杆 见表 1.4	2		
14	01 0000-001023-00	Round Pin $\phi 4 \times 35$	弹性圆柱销	8	-424150330	
	02 0000-001457-00	Round Pin $\phi 4 \times 35$	卷制弹性圆柱销	8	424150331-	
15	1115-130007-0A	Shaft	承载轮销轴	4		
16	1115-133000-00	Load Wheel See 0105	双轮总成 见 0105	4		
17	1115-130006-0A	Splint	夹板	4		
18	0000-000435-00	Flatwasher $\phi 20$	平垫	4	-081014	
19	1115-130008-00	Washer	加高转子	2		
20	0000-001241-00	Bushing 2520F	自润滑翻边轴套	2		
21	0000-000011-00	Bushing 2015	自润滑轴套	2		
22	1115-130005-0C-B	Wheel Bracket Assembly	轮架总成	2		

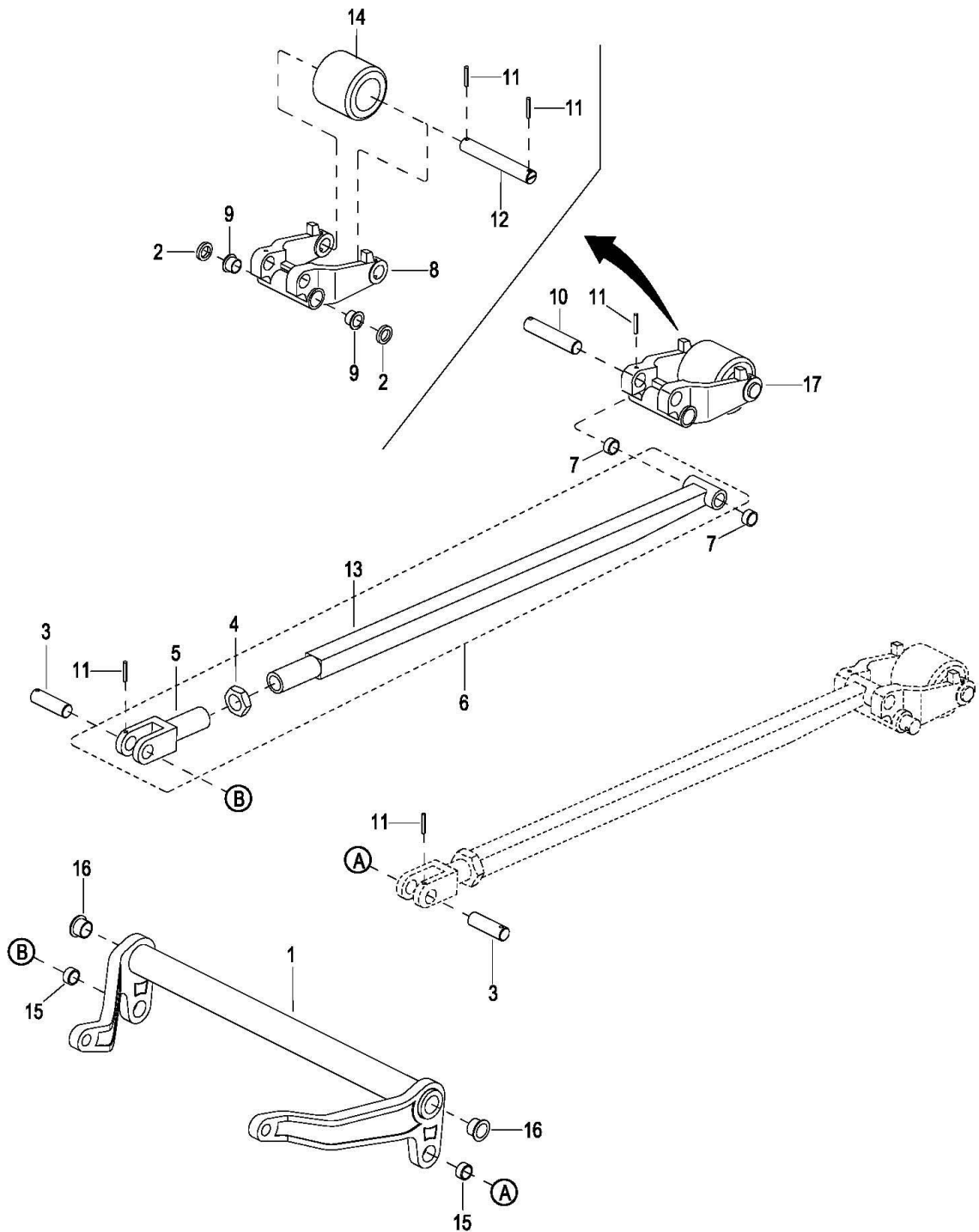
Form 1.3

Frame Width (W)		Part No. Of Down Link
车身宽度		
mm	in	(Item 1 , Page 7)
520	20	1121-131000-30
560	22	1121-131000-00
600	24	1121-131000-40
685	27	1121-131000-10

Form 1.4

Fork Length (L)		Part No. Of Long Link	Part No. Of Long Rod
叉脚长度			
mm	in	(Item 6 , Page 7 & 9)	(Item 13 , Page 7 & 9)
1150	45	1121-132000-00-01	1121-132200-00-01
1220	48	1115-132000-00-11	1115-132200-00-11
915	36	1115-132000-00-01	1115-132200-00-01
1000	40	1121-132000-00-04	1121-132200-00-04
1070	42	1121-132000-00-05	1121-132200-00-05

0104 Connecting Link (Single Wheel)

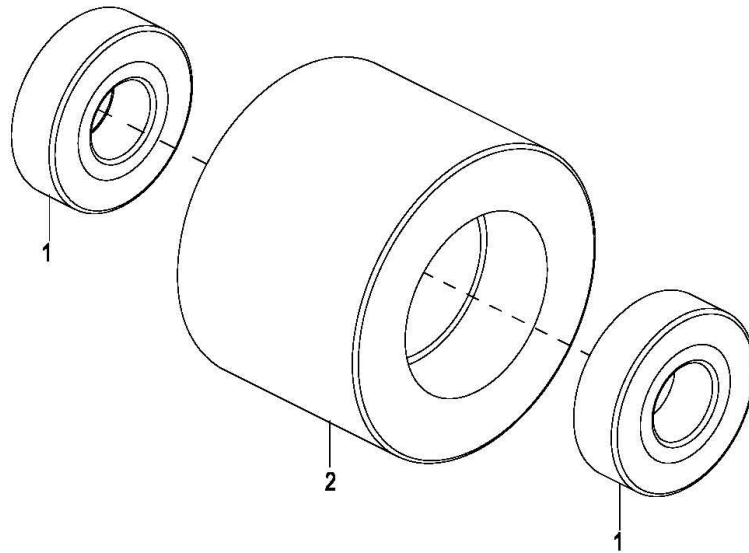


0104 Connecting Link (Single Wheel)

连杆总成 (单轮)

Index	Part No.	Part Name	No.	Applied Date	Remark
序号	零件编号	零件名称	数量	适用日期	备注
1	See Form 1.3	Down Link	1		On Page 7
2	1115-130008-00	Washer	4		
3	1121-130003-00	Shaft	2		
4	0000-000101-00	Nut M22×1.5	2		
5	1121-132001-00	Connector	2		
6	See Form 1.4	Long Link	2		On Page 7
7	0000-000907-00	Bushing 2020	4		
8	1115-130005-4A	Wheel Bracket	2		
9	0000-000908-00	Bushing 2015F	4		
10	1115-130003-00	Shaft	2		
11	01 0000-000708-00	Round Pin ø5×35	4	-424150330	
	02 0000-001456-00	Round Pin ø5×35	4	424150331-	
12	1115-130007-40	Shaft	2		
13	See Form 1.4	Long rod	2		On Page 7
14	1115-133000-40	Load Wheel See 0106	2		单轮总成 见 0106
15	0000-000011-00	Bushing 2015	2		
16	0000-001241-00	Bushing 2520F	2		
17	1115-130005-4A-B	Wheel Bracket Assembly	2		

0105 Load Wheel (Double Wheel)

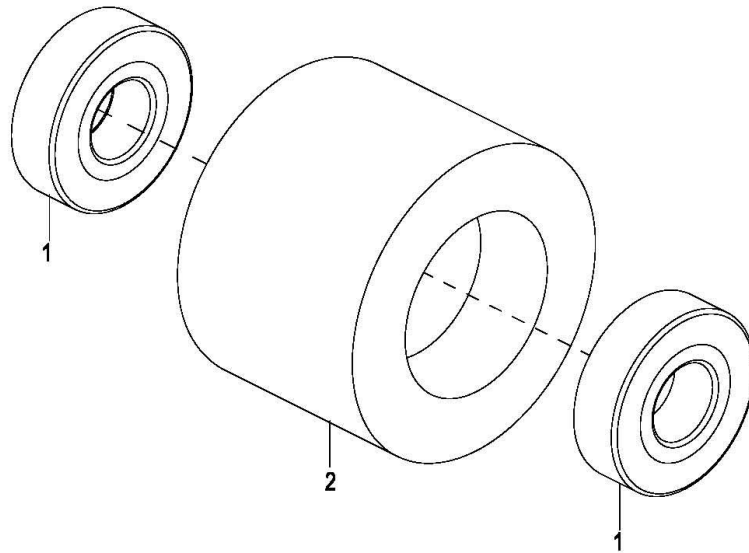


0105 Load Wheel (Double Wheel)

承载轮 (双轮)

Index	Part No.	Part Name		No.	Applied Date	Remark
序号	零件编号	零件名称		数量	适用日期	备注
1	0000-000020-00	Bearing 6204-2Z	轴承	2		
2	1115-133002-00	PU Wheel	PU 轮	1		

0106 Load Wheel (Single Wheel)

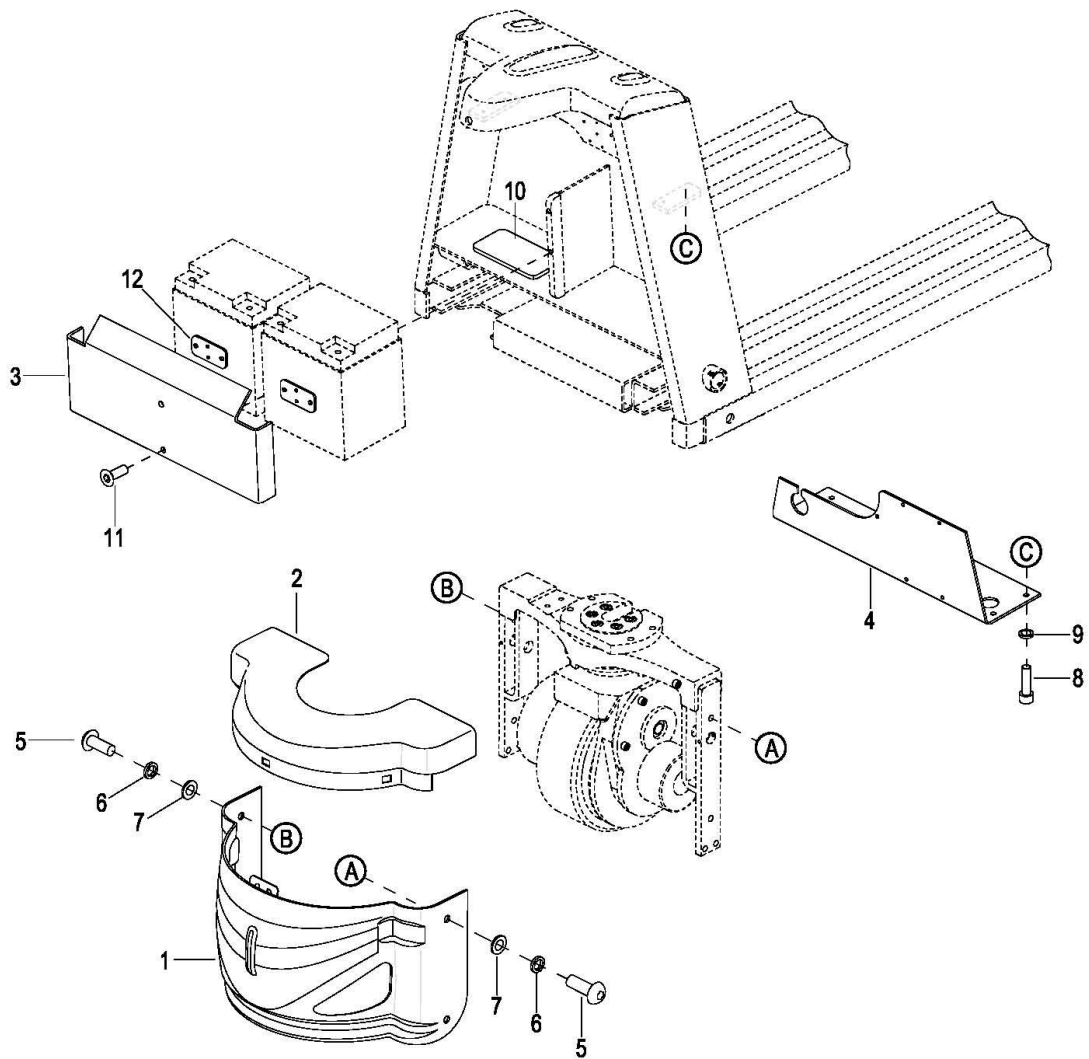


0106 Load Wheel (Single Wheel)

承载轮 (单轮)

Index	Part No.	Part Name		No.	Applied Date	Remark
序号	零件编号	零件名称		数量	适用日期	备注
1	0000-000020-00	Bearing 6204-2Z	轴承	2		
2	1115-133002-40	PU Wheel	PU 单轮	1		

0107 Cover Assembly

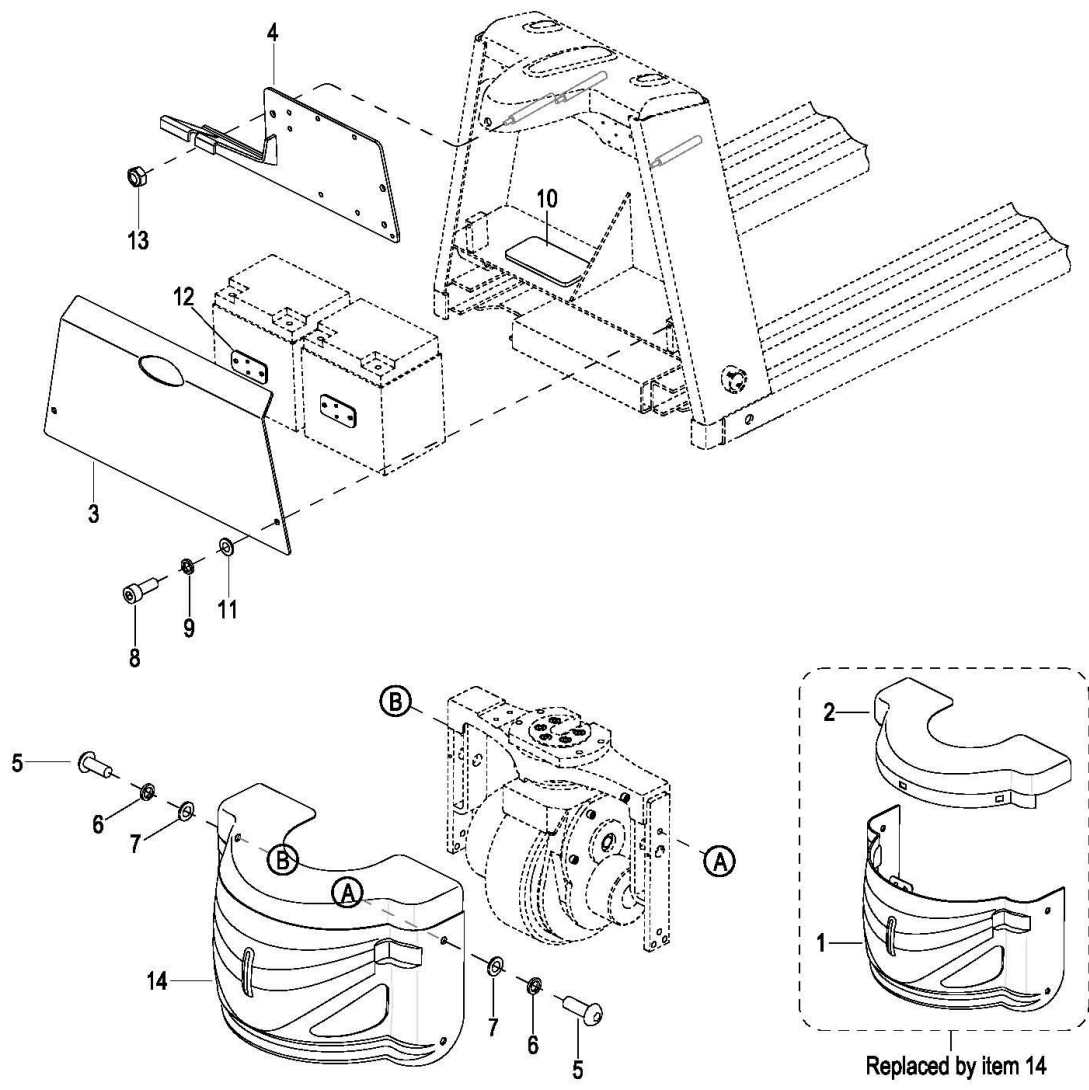


0107 Cover Assembly

外罩总成

Index	Part No.	Part Name	No.	Applied Date	Remark
序号	零件编号	零件名称	数量	适用日期	备注
1	1121-141000-00	Lower Cover	1		
2	1121-140001-00	Upper Cover	1		
3	1121-100002-00	Plate	1	-E2314826	
4	1121-100001-00	Bracket	1	-E2314826	560 Frame Width
4	1121-100001-10	Bracket	1	-E2314826	685 Frame Width
5	0000-000912-00	Screw M8×25	4		
6	0000-000159-00	Lockwasher ø8	4		
7	0000-000176-00	Flatwasher ø8	4		
8	0000-000055-00	Screw M6×16	4	-E2314826	
9	0000-000056-00	Lockwasher ø6	4		
10	2112-410005-00	Rubber Cushion	2		
11	0000-000126-00	Screw M6×16	2	-E2314826	
12	1121-100004-00	Rubber Cushion	2		

010701 Cover Assembly



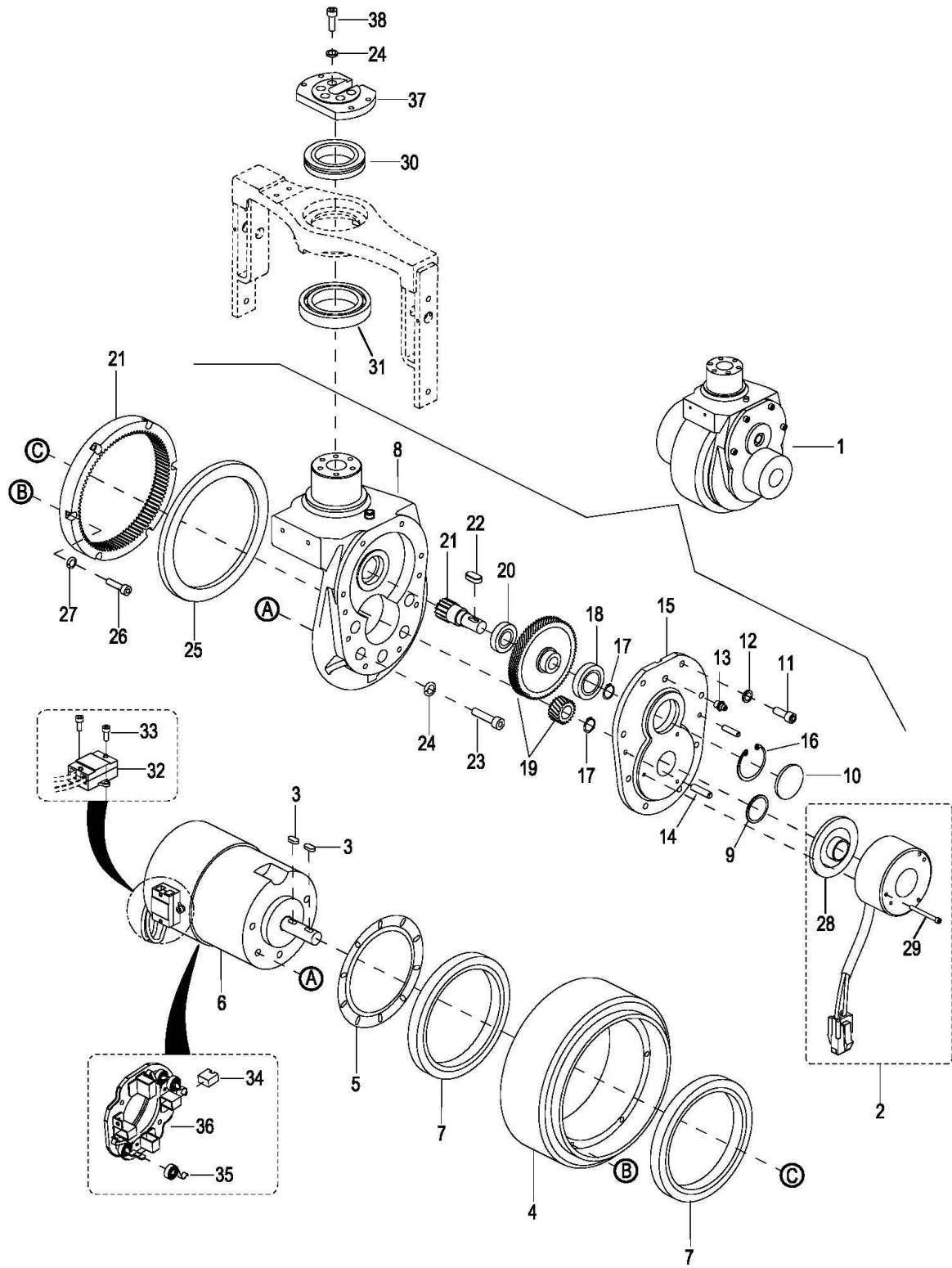
010701 Cover Assembly

外罩总成

Index	Part No.	Part Name		No.	Applied Date	Remark
序号	零件编号	零件名称		数量	适用日期	备注
1	1121-141000-00	Lower Cover	下罩下盖	1	-424210306	Replaced by item 14
2	1121-140001-00	Upper Cover	下罩上盖	1	-424210306	Replaced by item 14
3	1121-100002-0A	Plate	电瓶压板	1	E2314827-	560 Frame Width
3	1121-100002-10	Plate	电瓶压板	1	E2314827-	685 Frame Width
4	01 1121-100001-0A	Bracket	电器安装板	1	E2314827-E2320233	
	02 1121-510000-00	Bracket	电器安装板	1	E2320234-	
5	0000-000912-00	Screw M8×25	半圆头螺钉	4		
6	0000-000159-00	Lockwasher ø8	弹垫	4		
7	0000-000176-00	Flatwasher ø8	平垫	4		
8	0000-000077-00	Screw M6×12	圆柱头螺钉	2	E2314827-	
9	0000-000056-00	Lockwasher ø6	弹垫	2		
10	2112-410005-00	Rubber Cushion	橡胶垫	2		
11	0000-000380-00	Flatwasher ø6	平垫	2	E2314827-	
12	1121-100004-00	Rubber Cushion	插拔器橡胶垫	2		
13	0000-000923-00	Nut M6	锁紧螺母	3	E2314827-	
14	1121-143000-00	Cover	外罩	1	424210307-	

2000
Driving System
驱动系统

0201 Driving System

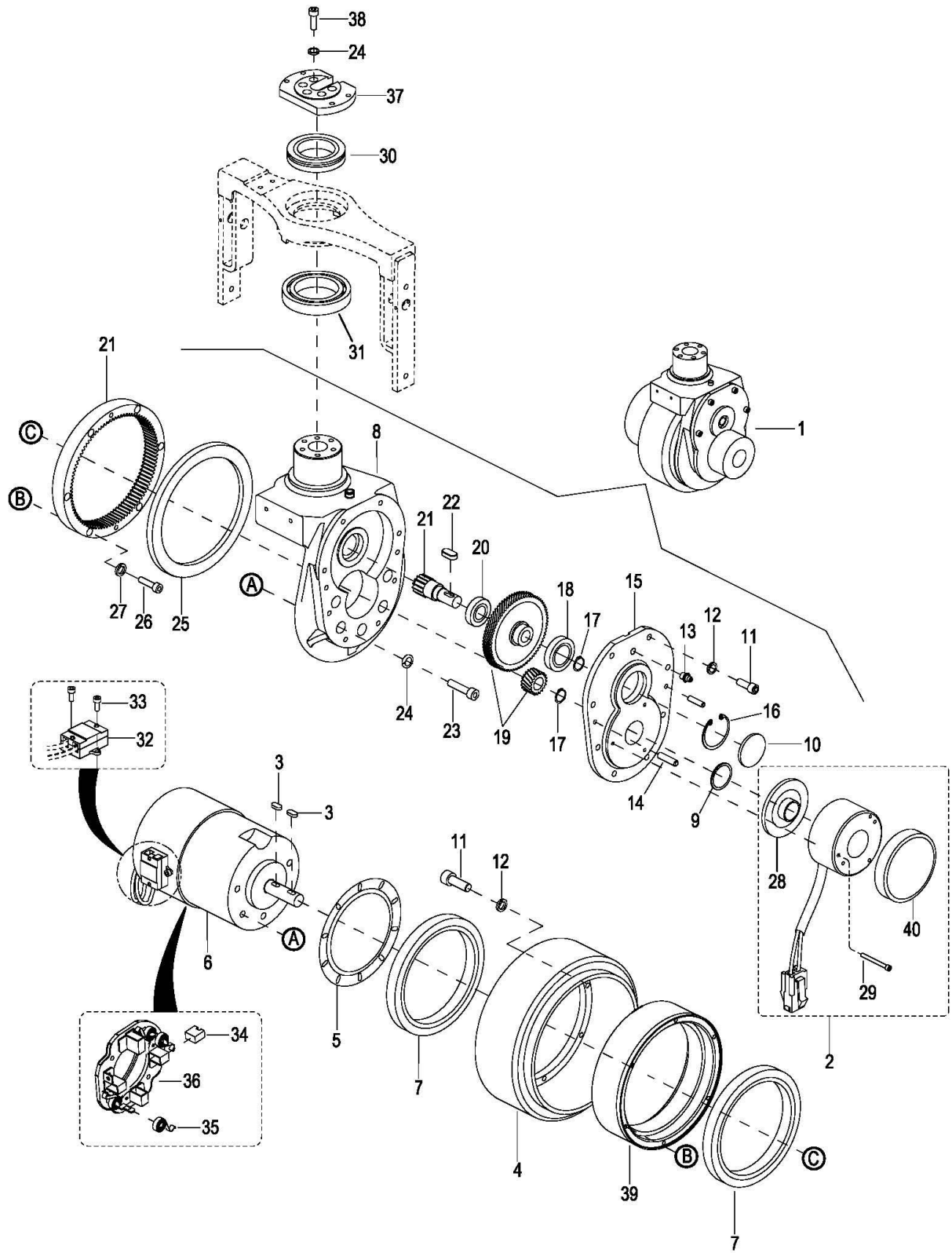


0201 Driving System

驱动系统

Index	Part No.	Part Name	No.	Applied Date	Remark
序号	零件编号	零件名称	数量	适用日期	备注
1	1121-200000-00	Driving Assembly	1	-426150000	Including Index 2—27
2	1115-520012-00	Brake Assembly	1		
3	0000-000662-00	Flat Key 5×5×12	2		
4	1115-220000-00	Driving Wheel	1	-426150000	
5	1115-200010-00	Bearing Baffle	1		
6	1115-250000-00	Motor	1		
7	0000-000663-00	Bearing 61824-2RS	2		
8	1121-210001-00	Gear Case	1		
9	0000-000671-00	Oil Seal ø16×28×7	1		
10	1115-200007-00	Cap	1		
11	0000-000386-00	Screw M6×20	8		
12	0000-000056-00	Lockwasher ø6	8		
13	0000-000013-00	Grease Fitting M8	1		
14	0000-000704-00	Pin ø6×20	2		
15	1115-200001-00	Gear Cover	1		
16	0000-000658-00	Snap Ring For Hole ø42	1		
17	0000-000659-00	Snap Ring ø15	2		
18	0000-000667-00	Bearing 61905Z	1		
19	1115-GSX-10	Gear Kit	1		The kit includes 2 gears (Pos.19)
20	0000-000680-00	Bearing 16003Z	1		
21	1115-GSX-20	Gear Kit	1		The kit includes 2 gears (Pos.21)
22	0000-000660-00	Key 5×5×18	1		
23	0000-000026-00	Screw M8×30	5		
24	0000-000159-00	Lockwasher ø8	10		
25	0000-000670-00	Oil Seal ø155×172×10	1	-426150000	
26	0000-000661-00	Screw M5×20	6		
27	0000-000206-00	Lockwasher ø5	6		
28	1115-240001-00	Brake lining	1		
29	0000-000665-00	Screw M4×45	3		
30	0000-001230-00	Bearing 51113	1		
31	0000-001231-00	Bearing 6013-Z	1		
32	1115-231000-00	Bracket	1		
33	0000-000004-00	Screw M5×12	2		
34	1115-250001-00	Brush	4		
35	1115-250002-00	Brush Spring	4		
36	1115-250003-00	Holder Brush	1		
37	1121-200001-00	Connecting Plate	1		
38	0000-000151-00	Screw M8×25	5		

020101 Driving System



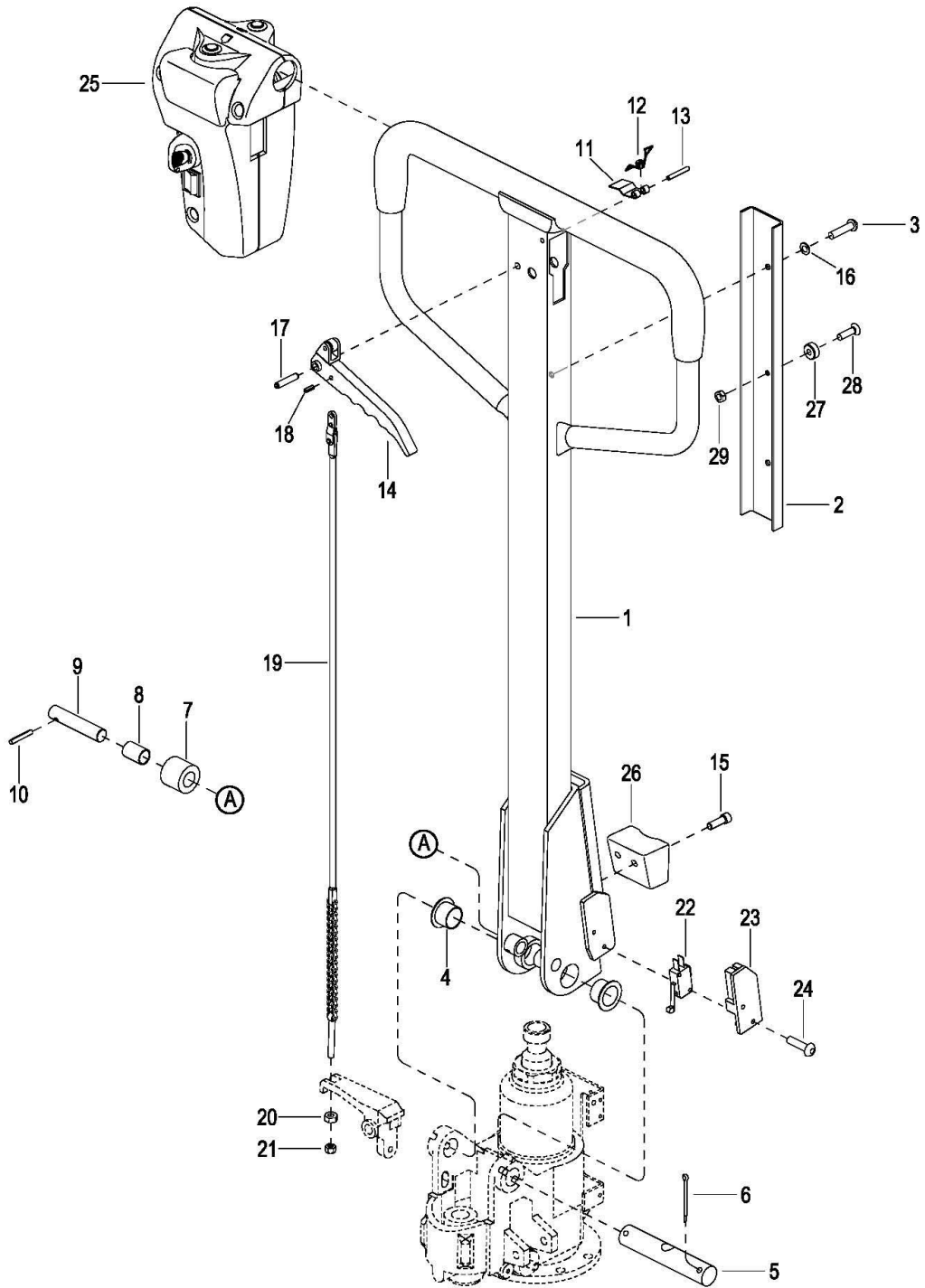
020101 Driving System

驱动系统

Index	Part No.	Part Name	No.	Applied Date	Remark
序号	零件编号	零件名称	数量	适用日期	备注
1	1121-200000-A0	Driving Assembly	1	426150001-	Including Index 2—27
2	01 1115-520012-00	Brake Assembly	1	-426190000	
	02 1115-520012-0A	Brake Assembly	1	426190001-	
3	0000-000662-00	Flat Key 5×5×12	2		
4	1115-220000-A0	Driving Wheel	1	426150001-	
5	1115-200010-00	Bearing Baffle	1		
6	1115-250000-00	Motor	1		
7	0000-000663-00	Bearing 61824-2RS	2		
8	1121-210001-00	Gear Case	1		
9	0000-000671-00	Oil Seal ø16×28×7	1		
10	1115-200007-00	Cap	1		
11	0000-000386-00	Screw M6×20	14		
12	0000-000056-00	Lockwasher ø6	14		
13	0000-000013-00	Grease Fitting M8	1		
14	0000-000704-00	Pin ø6×20	2		
15	1115-200001-00	Gear Cover	1		
16	0000-000658-00	Snap Ring For Hole ø42	1		
17	0000-000659-00	Snap Ring ø15	2		
18	0000-000667-00	Bearing 61905Z	1		
19	1115-GSX-10	Gear Kit	1		The kit includes 2 gears (Pos.19)
20	0000-000680-00	Bearing 16003Z	1		
21	1115-GSX-20	Gear Kit	1		The kit includes 2 gears (Pos.21)
22	0000-000660-00	Key 5×5×18	1		
23	0000-000026-00	Screw M8×30	5		
24	0000-000159-00	Lockwasher ø8	10		
25	0000-001788-00	Oil Seal ø155×173×10	1	426150001-	
26	01 0000-000661-00	Screw M5×20	12		replaced by #302001000091
	02 302001000091	Screw M5×25	6		
27	0000-000206-00	Lockwasher ø5	6		
28	1115-240001-00	Brake lining	1		
29	01 0000-000665-00	Screw M4×45	3	-426200143	
	02 1115-240003-0A	Screw	3	426200144-	
30	0000-001230-00	Bearing 51113	1		
31	0000-001231-00	Bearing 6013-Z	1		
32	1115-231000-00	Bracket	1		
33	0000-000004-00	Screw M5×12	2		
34	1115-250001-00	Brush	4		
35	1115-250002-00	Brush Spring	4		
36	1115-250003-00	Holder Brush	1		
37	1121-200001-00	Connecting Plate	1		
38	0000-000151-00	Screw M8×25	5		
39	1115-200001-A0	Inner rim	1	426150001-	
40	1115-240002-0A	Scraper Seal	1	426200144-	

3000
Operating Control System
操作系统

0301 Operating Control System

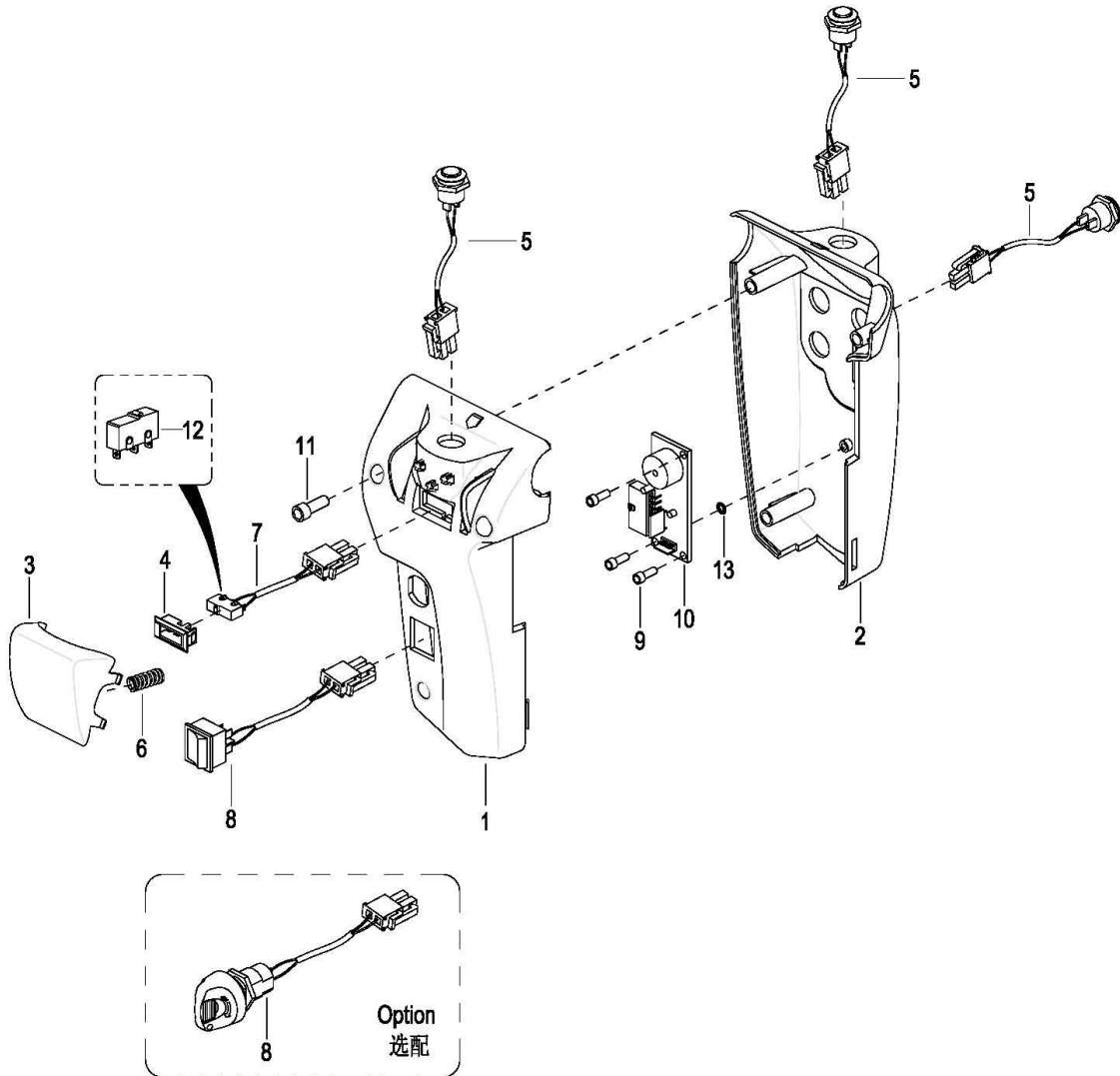


0301 Operating Control System

操作系统

Index	Part No.	Part Name	No.	Applied Date	Remark
序号	零件编号	零件名称	数量	适用日期	备注
1	1121-320000-00	Control Handle	1		
2	01 1121-300001-00	Groove	1	-426190000	
	02 1121AA-300001-00	Groove	1	426190001-	
3	0000-000179-00	Screw M6×10	2		
4	0000-000908-00	Bushing 2015F	2		
5	1121-300004-00	Shaft	1		
6	0000-001232-10	Cotter Pin ø4×50	2		
7	1121-300003-00	Roller	1		
8	0000-001242-10	Bushing 1220	1		
9	1121-300002-00	Shaft	1		
10	0000-001233-10	Round Pin ø4×20	1		
11	1121-330001-00	Leaf Spring	1		
12	1121-330002-00	Torsional Spring	1		
13	0000-000679-00	Round Pin ø4×30	1		
14	1121-330004-00-B	Knob	1		
15	0000-000077-00	Screw M6×12	2		
16	0000-000380-00	Flatwasher ø6	2		
17	0000-001235-10	Round Pin ø6×30	1		
18	0000-001236-10	Round Pin ø4×12	1		
19	1121-330006-00-B	Rod	1		
20	0000-000108-00	Nut M6	1		
21	0000-000923-00	Nut M6	1		
22	1115-500017-00	Limit Switch	1		
23	1115-500014-00	Bracket	1		
24	0000-001238-00	Screw M3×16	2		
25	01 1121-310000-00-B	Control Pod Assembly	1	-E2410609	01⇐✕⇒ 02
	02 1121-310000-0A-B	Control Pod Assembly	1	E2410610-	01⇐✕⇒ 02
26	01 2107-300001-00	Limiting Block	1	-424170700	
	02 1121-300005-00	Limiting Block	1	424170701-	
27	1118-650010-60	Magnet	1	426190001-	
28	0000-000614-00	Screw M 4×10	1	426190001-	
29	0000-000139-00	Nut M4	1	426190001-	

0302 Control Pod Assembly

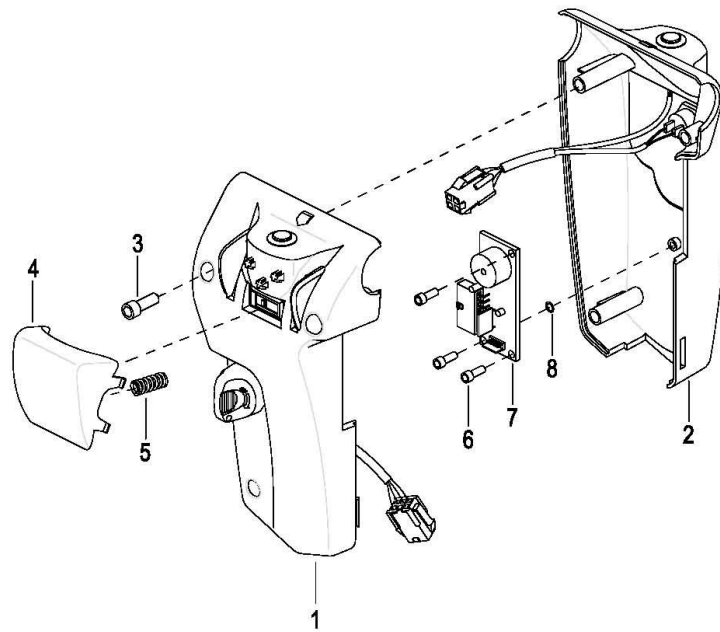


0302 Control Pod Assembly

操作手柄头总成

Index	Part No.	Part Name	No.	Applied Date	Remark
序号	零件编号	零件名称	数量	适用日期	备注
1	1121-310002-00	Cover	1	-E2410609	
2	1121-310001-00	Cap	1	-E2410609	
3	1121-310003-00	Button Reverser Cover	1	-E2410609	
4	1280-360013-00	Button Bracket	1	-E2410609	
5	1121-522000-00	Button	3	-E2410609	
6	1121-310004-00	Spring	1	-E2410609	
7	1121-521000-00	Reversing Switch	1	-E2410609	
8	1121-523000-00	Boatlike Switch	1	-E2410609	
8	1115-520019-0A	Key Switch	1	-E2410609	Option (选配)
9	0000-001243-00	Screw M3×6	3	-E2410609	
10	1121-520005-00	Integrated module	1	-E2410609	
11	0000-000004-00	Screw M5×12	3	-E2410609	
12	1220-560002-00	Inching Switch II	1	-E2410609	
13	0000-001133-00	O-Ring ø3.15×1.8	3	-E2410609	

030201 Control Pod Assembly

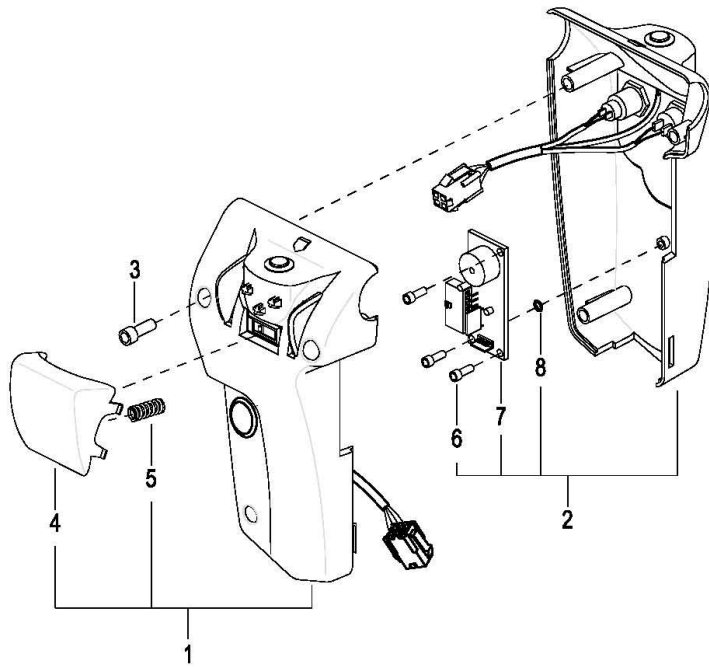


030201 Control Pod Assembly

操作手柄头总成

Index	Part No.	Part Name		No.	Applied Date	Remark
序号	零件编号	零件名称		数量	适用日期	备注
1	1121-310002-0A-B	Cover	下盖	1	E2410610-426190000	
2	1121-310001-0A-B	Cap	上盖	1	E2410610-426190000	
3	0000-000004-00	Screw M5×12	螺钉	3	E2410610-426190000	
4	1121-310003-00	Button Reverser Cover	反向开关外罩	1	E2410610-426190000	
5	1121-310004-00	Spring	弹簧	1	E2410610-426190000	
6	0000-001243-00	Screw M3×6	螺钉	3	E2410610-426190000	
7	1121-520013-00	Integrated module	电量集成模块	1	E2410610-426190000	
8	0000-001133-00	O-Ring ø3.15×1.8	O 型橡胶圈	3	E2410610-426190000	

030202 Control Pod Assembly



030202 Control Pod Assembly**操作手柄头总成**

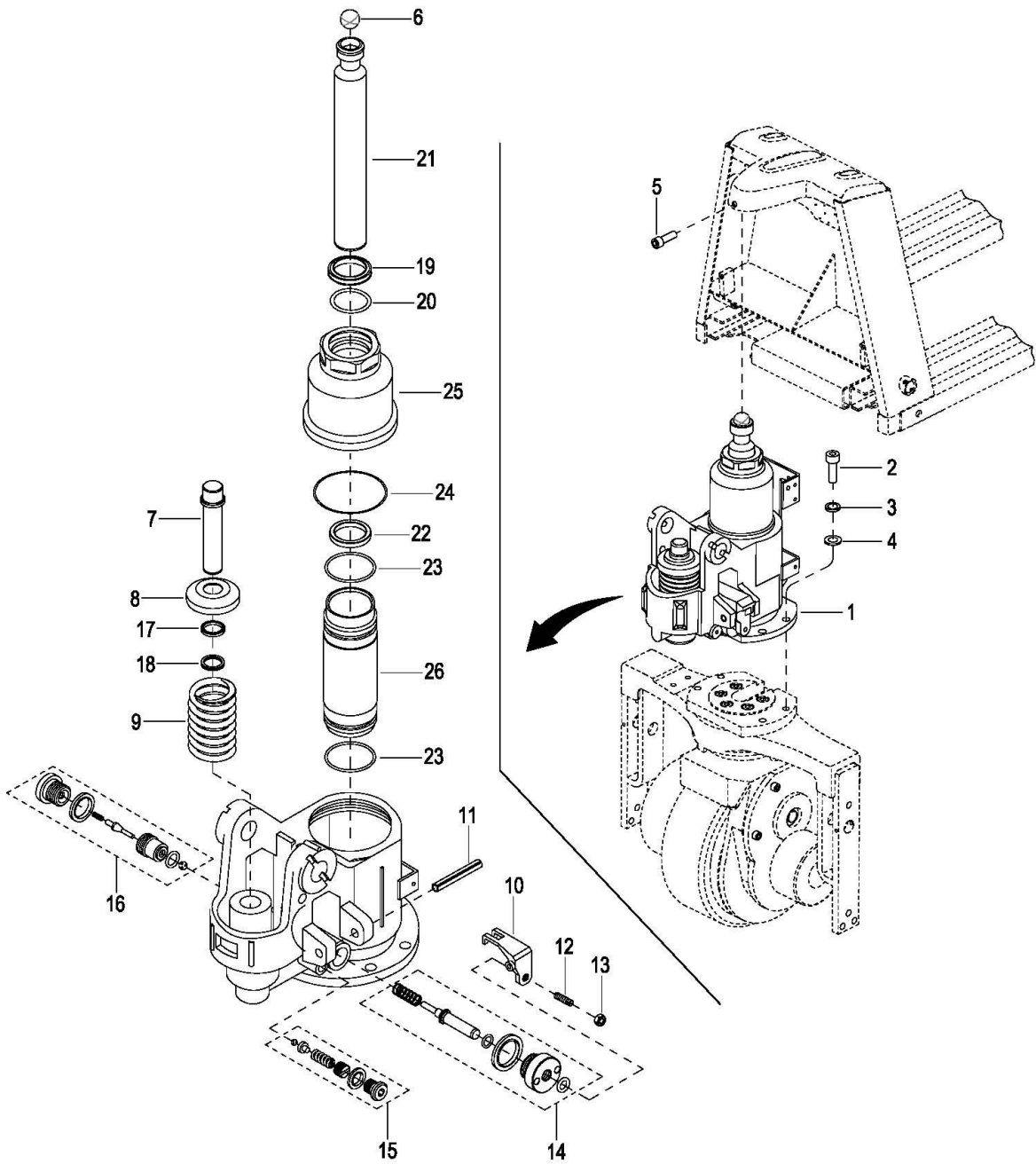
Index	Part No.	Part Name		No.	Applied Date	Remark
序号	零件编号	零件名称		数量	适用日期	备注
1	1121AA-310002-00-B	Cover	下盖	1	426190001-	
2	1121AA-310001-00-B	Cap	上盖	1	426190001-	
3	0000-000004-00	Screw M5×12	螺钉	3	426190001-	
4	1121-310003-00	Button Reverser Cover	反向开关外罩	1	426190001-	
5	1121-310004-00	Spring	弹簧	1	426190001-	
6	0000-001243-00	Screw M3×6	螺钉	3	426190001-	
7	1121-520013-00	Integrated module	电量集成模块	1	426190001-	
8	0000-001133-00	O-Ring ø3.15×1.8	O型橡胶圈	3	426190001-	

4000

Hydraulic System

液压系统

0401 Hydraulic System



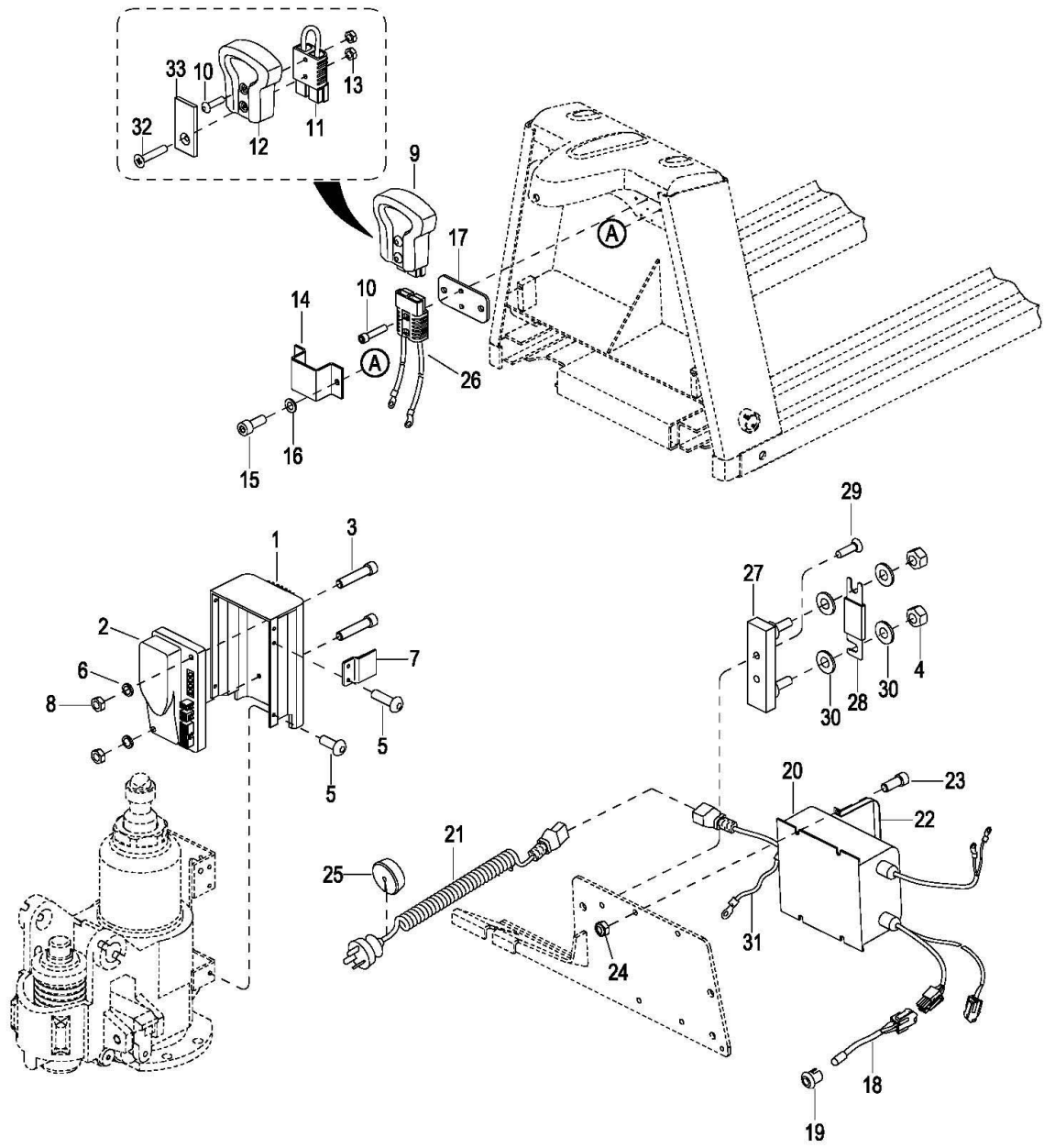
0401 Hydraulic System

液压系统

Index	Part No.	Part Name		No.	Applied Date	Remark
序号	零件编号	零件名称		数量	适用日期	备注
1	1121-410000-00	Hydraulic Assembly	液压动力单元	1		Including Index 6—26
2	0000-000151-00	Screw M8×25	螺钉	4		
3	0000-000159-00	Lockwasher ø8	弹垫	4		
4	0000-000176-00	Flatwasher ø8	平垫	4		
5	0000-000077-00	Screw M6×12	螺钉	1		
6	1121-410001-00	Steel Ball	钢球	1		
7	1121-410007-00	Pressure Bar	压杆	1		
8	1121-410008-00	Spring Cover	压簧盖	1		
9	1121-410009-00	Spring	压簧	1		
10	1121-410010-00	Pressure Release Lever	泄压杠杆	1		
11	0000-001237-10	Pin 8×45	弹性圆柱销	1		
12	1121-410011-00	Rod	泄压顶杆	1		
13	0000-000108-00	Nut M6	螺母	1		
14	1121-410012-00	Unloading Valve	卸荷阀	1		
15	1121-410013-00	Relief Valve	安全阀	1		
16	1121-410014-00	Control Valve	控制阀	1		
17	1121-410015-00	Ring Wiper 18	防尘圈	1		
18	1121-410016-00	YX-seal 18	YX 密封圈	1		
19	1121-410017-00	Ring Wiper 32	防尘圈	1		
20	1121-410018-00	O-ring 32×3.55	O 型圈	1		
21	1121-410002-00	Piston Rod	活塞杆	1		
22	1121-410019-00	seal 32	密封圈	1		
23	1121-410020-00	O-ring 37.5×2.65	O 型圈	2		
24	1121-410021-00	O-ring 65×2.65	O 型圈	1		
25	1121-410022-00	Cap	导向套	1		
26	1121-410023-00	Cylinder	短油缸	1		
KIT	1121-ZZG-0A	Seal Kit For Hydraulic Assembly (include item17,18,19,20,22,23,24)	起升泵修理包(包含零件 17、 18、19、20、22、23、24)	1		

5000
Electrical System
电气系统

0501 Electrical System

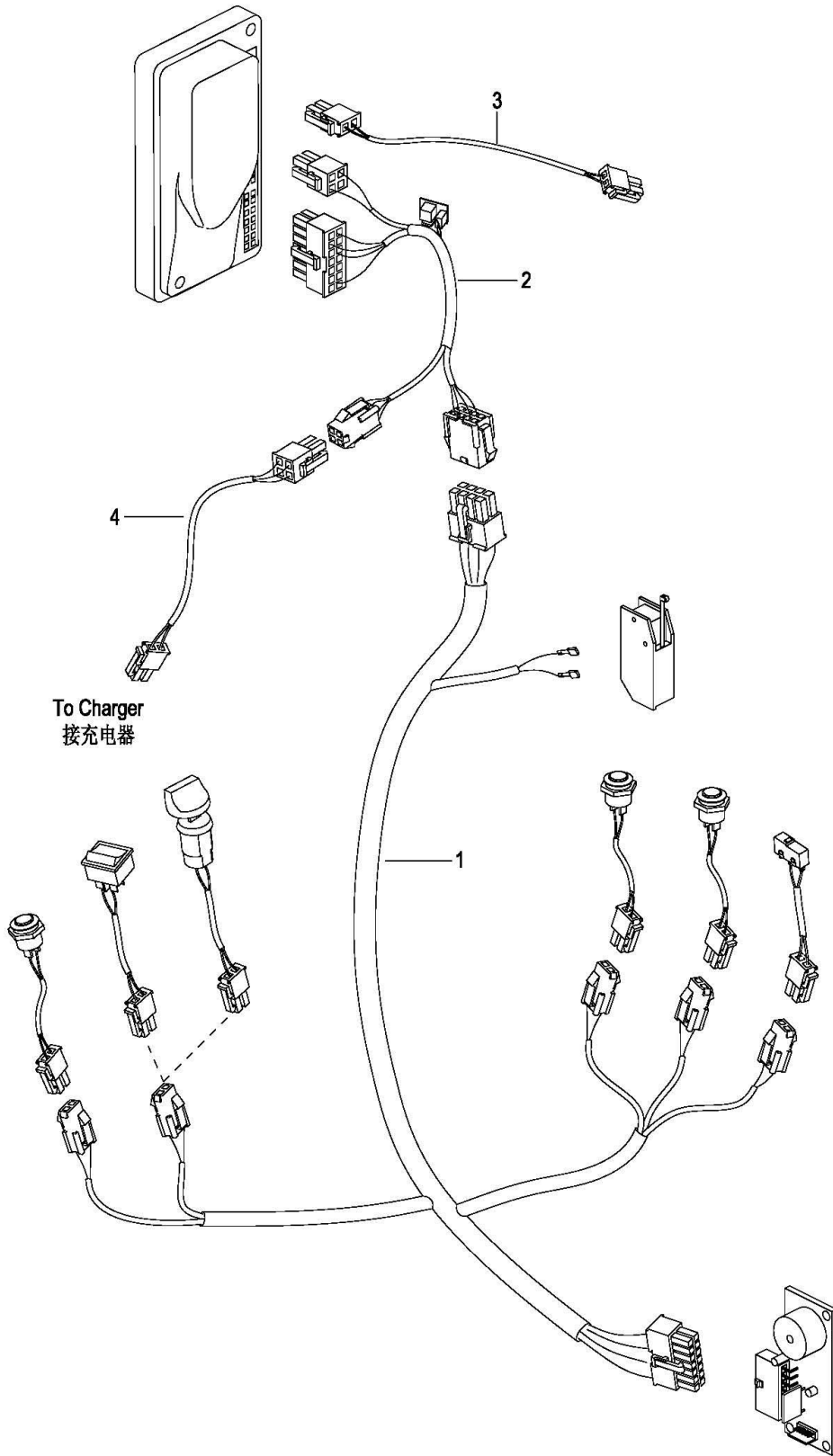


0501 Electrical System

电气系统

Index	Part No.	Part Name	No.	Applied Date	Remark
序号	零件编号	零件名称	数量	适用日期	备注
1	01 1121-142000-00	Controller Cover	1	-E2321553	
	02 1121-142000-0A	Controller Cover	1	E2321554-	
2	01 1115-510004-00	Controller	1		Cancelled /取消
	02 1115-510004-00-90	Controller	1		
3	0000-000121-00	Screw M4×35	2		
4	0000-000196-00	Nut M8	2	E2314827-	
5	0000-000651-00	Screw M4×8	5		
6	0000-000122-00	Lockwasher ø4	7		
7	1121-500002-00	Plate	1		
8	0000-000139-00	Nut M4	2		
9	01 1121-532000-00-B	Puller Assembly	1	-E2320233	
	02 1121-500004-10-B	Puller Assembly	1	E2320234-426190000	
	03 1121-500004-10-C	Puller Assembly	1	426190001-	
10	0000-000981-00	Screw M3×20	4		
11	1121-532000-00	Puller	1		
12	01 1121-500003-00	Handle	1	-E2320233	
	02 1121-500004-00	Handle	1	E2320234-	
13	0000-000982-00	Nut M3	2		
14	1115-100006-Z0	Hoop	1		
15	0000-000077-00	Screw M6×12	2		
16	0000-000380-00	Flatwasher ø6	2		
17	1121-100004-00	Rubber Cushion	1		
18	01 1115-520013-Z0	LED Lamp	1	-E2314826	
	02 1121-520007-00	LED Lamp	1	E2314827-	
19	1115-510009-00	Lamp Holder	1		
20	01 1121-520004-00	Charger Assembly 4A	1	-E2314826	
	02 1121-520004-0A	Charger Assembly 5A	1	E2314827-	
21	1115-500006-00	Charger Cable EUROPE	1		For EUROPE
21	1115-500006-10	Charger Cable USA	1		For USA
21	1115-500006-20	Charger Cable AUS	1		For AUS
21	1115-500006-30	Charger Cable END	1		For END
21	1115-500006-40	Charger Cable JAPAN	1		For JAPAN
21	1115-500006-50	Charger Cable CHINA	1		For CHINA
21	1115-500006-60	Charger Cable CH	1		For CH
22	1115-500009-00	Charger Hoop	2		
23	0000-000004-00	Screw M5×12	4		
24	0000-001026-00	Nut M5	4		
25	1115-120002-00	Charger Cap	1		
26	01 1121-531000-00	Connector Battery Assembly	1	-E2314826	
	02 1121-531000-0A	Connector Battery Assembly	1	E2314827-	
27	1120-540001-00-B	Fuse Stand	1	E2314827-	
28	1115-510003-00	Fuse 100A	1	E2314827-	
29	0000-000126-00	Screw M 6×16	2	E2314827-	
30	0000-000176-00	Flatwasher ø8	4	E2314827-	
31	1115-520021-00	Ground line	1	426191250-	
32	0000-001332-00	Screw M3×25	1	426190001-	
33	1121AA-300002-00	Plate	1	426190001-	

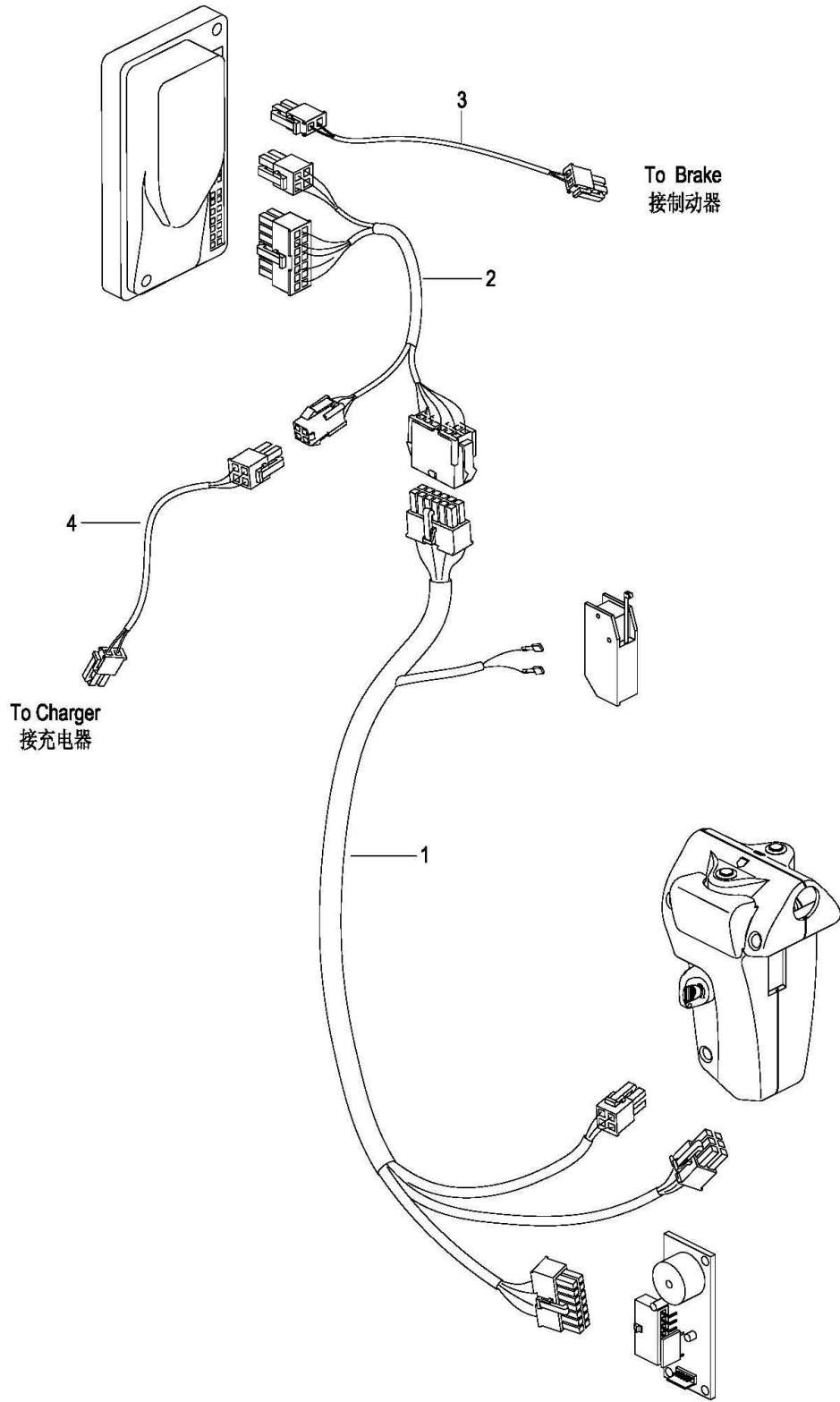
0502 Wire Harness Assembly



0502 Wire Harness Assembly**线束总成**

Index	Part No.	Part Name		No.	Applied Date	Remark
序号	零件编号	零件名称		数量	适用日期	备注
1	1121-520001-00	Master Wire Harness	主线束	1	-E2410609	
2	1121-520002-00	Controller Wire Harness	控制器转接线束	1	-E2410609	
3	01 1121-520006-00	Brake Wire Harness	制动器转接线束	1	-E2314826	
	02 1121-520006-0A	Brake Wire Harness	制动器转接线束	1	E2314827-	
4	1121-520008-00	Changer Wire Harness	充电器转接线束	1	E2314827-	

050201 Wire Harness Assembly

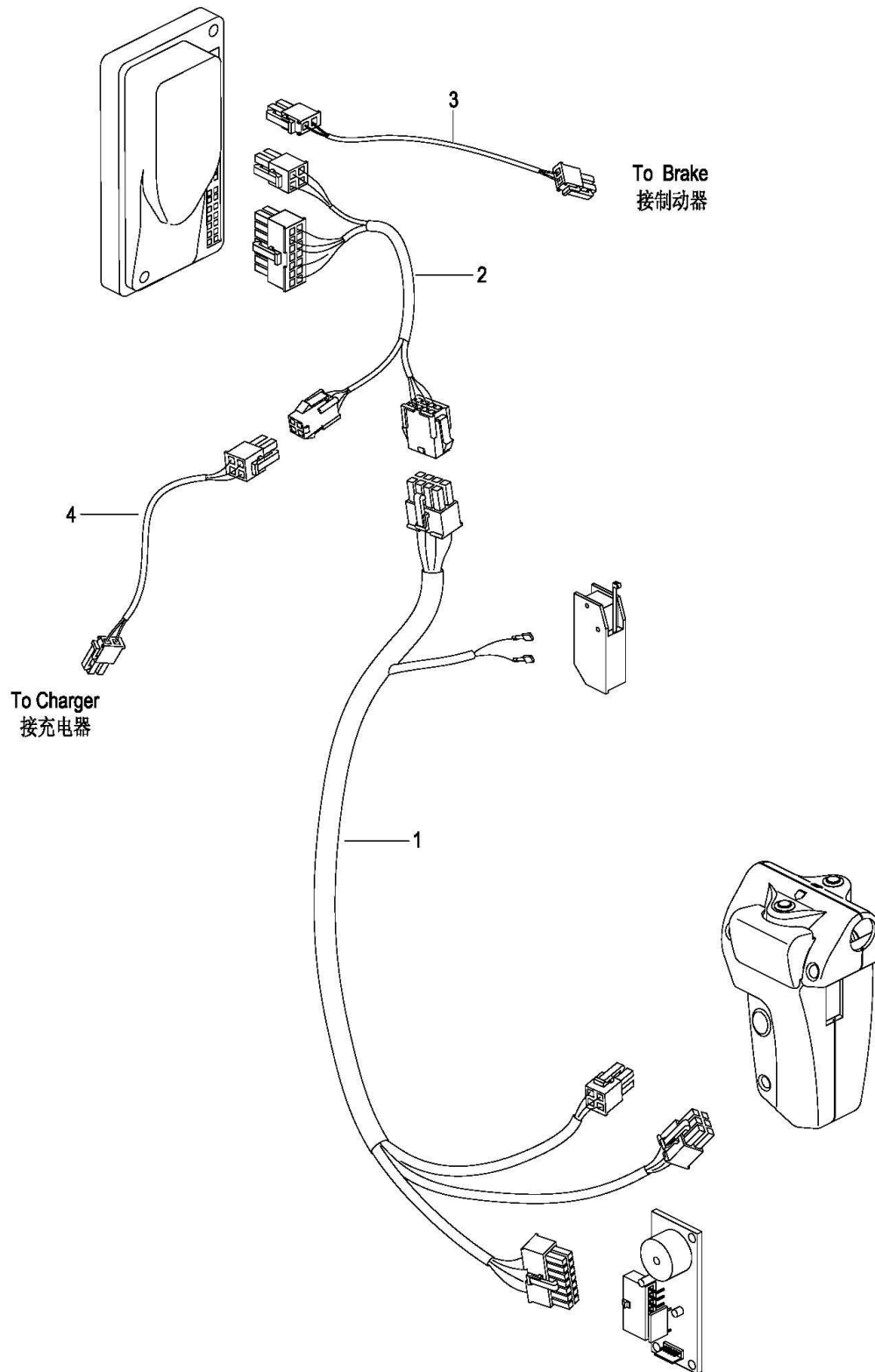


050201 Wire Harness Assembly

线束总成

Index	Part No.	Part Name		No.	Applied Date	Remark
序号	零件编号	零件名称		数量	适用日期	备注
1	1121-520011-00	Master Wire Harness	主线束	1	E2410610-426190000	
2	1121-520012-00	Controller Wire Harness	控制器转接线束	1	E2410610-426190000	
3	1121-520006-0A	Brake Wire Harness	制动器转接线束	1	-426190000	
4	1121-520008-00	Changer Wire Harness	充电器转接线束	1	-426190000	

050202 Wire Harness Assembly

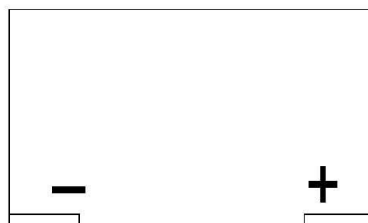
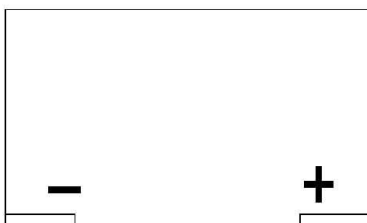


050202 Wire Harness Assembly

线束总成

Index	Part No.	Part Name		No.	Applied Date	Remark
序号	零件编号	零件名称		数量	适用日期	备注
1	1121AA-520001-1C	Master Wire Harness	主线束	1	426190001-	
2	1121AA-520002-0C	Controller Wire Harness	控制器转接线束	1	426190001-	
3	1121-520006-0A	Brake Wire Harness	制动器转接线束	1	426190001-	
4	1121-520008-00	Changer Wire Harness	充电器转接线束	1	426190001-	

0503 Cable Assembly



0503 Cable Assembly

电缆总成

Index	Part No.	Part Name		No.	Applied Date	Remark
序号	零件编号	零件名称		数量	适用日期	备注
1	1121-530002-00	Battery Connector Cable	电瓶间电缆	1		
2	01 1121-530001-00	B- Cable	控制器负极电缆	1	-E2314826	
	02 1121-530001-0A	B- Cable	控制器负极电缆	1	E2314827-	
3	1121-530003-00	M1 Cable	M1 电缆	1		
4	1121-530004-00	M2 Cable	M2 电缆	1		
5	1121-500001-00	Battery	电瓶	2		30Ah
6	01 1121-531000-00	Connector Battery Assembly	电瓶插拔器总成	1	-E2314826	

02	1121-531000-0A	Connector Battery Assembly	电瓶插拔器总成	1	E2314827-
7	1121-532000-00	Puller	短接插拔器	1	
8	1121-530005-00	Fuse-Battery Cable	保险丝到电瓶电缆	1	E2314827-