

I

Uso e manutenzione

GB

Use and maintenance handbook

## **MONTASCALE A RUOTE WHEEL STAIR LIFT**

**LG2020**




**ANTANO**  
Group 

## Sommario

|           |  |           |
|-----------|--|-----------|
| <b>1</b>  | <b>CE MARKING DATA</b> .....                                       | <b>26</b> |
| <b>2</b>  | <b>WARNINGS</b> .....  | <b>26</b> |
| 2.1       | General warnings .....   | 26        |
|           | Declaration of Conformity .....                                    | 26        |
| 2.2       | Pictograms.....  | 27        |
| <b>3</b>  | <b>UNPACKING</b> .....   | <b>28</b> |
| 3.1       | Environmental protection recommendations .....                     | 28        |
| <b>4</b>  | <b>SYSTEM DESCRIPTION</b> .....                                    | <b>28</b> |
| 4.1       | Device components .....  | 29        |
| <b>5</b>  | <b>ASSEMBLY</b> .....  | <b>30</b> |
| <b>6</b>  | <b>REGULATION</b> .....  | <b>32</b> |
| 6.1       | Adjusting the headrest.....  | 32        |
| 6.2       | Adjusting the footrest.....  | 32        |
| 6.3       | Adjusting the handlebar .....                                      | 32        |
| <b>7</b>  | <b>TECHNICAL CHARACTERISTICS</b> .....                             | <b>33</b> |
| 7.1       | Dimensions .....   | 33        |
| 7.2       | Technical data table.....  | 33        |
| 7.3       | Characteristics of staircase .....                                 | 34        |
| <b>8</b>  | <b>MANUFACTURER'S INTENDED USE</b> .....                           | <b>35</b> |
| <b>9</b>  | <b>USING THE DEVICE</b> .....                                      | <b>36</b> |
| 9.1       | Charging the battery .....   | 36        |
| 9.2       | Handling on flat surfaces .....                                    | 37        |
| 9.3       | Brakes .....   | 37        |
| 9.4       | Handling on stairs.....  | 38        |
| <b>10</b> | <b>ROUTINE MAINTENANCE</b> .....                                   | <b>44</b> |
|           | Routine maintenance table .....                                    | 44        |
| 10.1      | Cleaning the metal parts.....                                      | 44        |
| 10.2      | Cleaning the plastic parts .....                                   | 44        |
| 10.3      | Cleaning the wheels .....  | 44        |
| <b>11</b> | <b>TROUBLESHOOTING</b> .....                                       | <b>45</b> |
| <b>12</b> | <b>EXTRAORDINARY MAINTENANCE</b> .....                             | <b>46</b> |
| 12.1      | Parts subject to wear and the criteria for their replacement ..... | 46        |
| <b>13</b> | <b>GUARANTEE</b> .....   | <b>48</b> |



|   |  |       |
|---|--|-------|
|  <p><b>ANTANO GROUP s.r.l</b><br/>Via Todi, 15 zi. Torre Matigge<br/>06039 Trevi (Pg)<br/>Tel. 0742 381269</p> | <b>Numero di serie - Serial number</b>       |       |
|   | Modello - <i>Item</i>                        | ..... |
|   | Anno di costruzione - <i>Production year</i> | ..... |
|   | Portata massima - <i>Maximum load</i>        | ..... |
|   | Massa complessiva - <i>Total weight</i>      | ..... |

**Declaration of Conformity** 

The manufacturer:  
**ANTANO GROUP SRL**  
 Via Todi, 15 Zona Industriale Torre Matigge - 06039 TREVÌ (PG)

declares and guarantees under its sole responsibility that the mobile universal stair climber with seat to transport persons with impairments, code:

**LG 2020 mobile universal stairclimber**  
 (Cod.Iso 18.30.12.006 - CND 18.30.99)

Is a Medical Device of class I as from classification established by the European Directive 93/42/EEC Annex IX, is in conformity with the European Directive 93/42/EEC "Medical Devices" and following modifications 2007/47 ECC;  
 is also in conformity with the European Directive 2006/95/EC (Low Voltage – Battery charger), UNI EN 12182 – Technical aids for disabled persons \_ general requirements and testing methods, complies also with EN 60601-1-2, EN ISO 7176-28, EN 1041 and EN60335-1.


Managing Director



2 WARNINGS







2.1 General warnings







- The instruction manual is an integral part of the product must be carefully preserved and stored in an accessible place for quick referencing.
- The manual is intended for users of the machine, the owner, and those in charge of safety and maintenance operations.
- The manual provides instructions on the proper use of the chair, its technical characteristics and safety recommendations; this manual, however, can never substitute for adequate user experience and training.
- If any damage due to transport is noted upon delivery, do not use the chair; contact Technical Support so the chair can be inspected and serviced if necessary.
- The device must be used by those who are physically able to control the its entire weight or the person being transported.
- The operator must be completely familiar with and fully understand the contents of this manual.
- Before each use always check that the functional parts, the brakes and all safety mechanisms are working properly.
- The operator must always keep both hands firmly on the handlebar.
- The device must be used observing the following rules:
  - the operator must be over the age of 18.
  - during movement, the passenger must sit in a completely upright position, with shoulders and head up against the chair back.
  - do not use the aid to transport items different than those intended.
  - the person being transported must not hold different objects or heavy items.
  - the operator must never leave the aid unattended with a passenger in it.
  - do not use the wheelchair on rough surfaces.
- The device is not intended for use by persons (including children) with reduced physical, sensory or mental capabilities, or who are lacking in experience or knowledge, unless there is person responsible for their safety present or unless

- they have been specifically instructed on the chair's use.
- The operators and those being transported must not smoke in order to prevent damage or risk of fire with respect to clothes, upholstery or other people.
- Those operating the wheelchair must always keep both hands on the handlebar to ensure constant control.
- Assembly and adjustment operations must only be carried out by authorised personnel.
- Never lift up the wheelchair when there is a passenger in it.
- The device cannot be used in areas subject to splashing water or critical and unfavourable weather conditions
- The operator and the passenger must be careful not to wear long scarves or loose clothing; these may get caught in the device and cause dangerous situations.
- OPERATOR**  
The device should only be handled on stairs by those who have been specifically trained:  
  
**Operator qualified for handling on stairs**  
To handle the device on stairs, both going up and down, the operator must possess a certificate of qualification issued by the manufacturer or an authorised representative, only after having received direct theoretical and practical training and only after demonstrating the ability to safely perform all the operations described in this manual.  
To ascend or descend the stairs, the security key must be inserted; without this key the device does not accept these specific commands
- Transfer of the aid  
In case the person who handles the device is replaced or in case of shift rotation, ensure that all those handling the device have been qualified by the manufacturer or an authorised representative; unqualified people are not allowed to handle the device.
- Never approach a staircase if the passenger is not in a fully upright position, or the position of movement (see USE chapter).  
If the passenger is not able to sit in an upright and stable position, use specific seat belts to secure the passenger to the backrest.
- Before ascending or descending the staircase, verify the characteristics of the stairs:
  - they must not be covered by rugs or fitted carpeting
  - they must not be unstable or unfinished, but compact
  - they must not have irregular, broken or collapsed edges
  - they must not be wet or slippery.
- Spiral staircases**  
The device can be handled on closed spiral staircases (with riser) only if the size and characteristics of the stairs are compatible with that described in Chapter 7.
- Stair climber operating key**  
 The stair climber can only be operated if the key is inserted; this protects the device and people from reckless use by unqualified personnel.
- Warning!** Before starting to go down the stairs, tilt the aid back until both step edge detector wheels are engaged. These automatically activate the wheel brakes, stopping the aid on reaching the first step to start the descent. If this is not done, the aid will not come to a halt and there will be a high risk of falling down the stairs.

## 2.2 Pictograms

The following pictograms may be present on the wheelchair or in this manual.

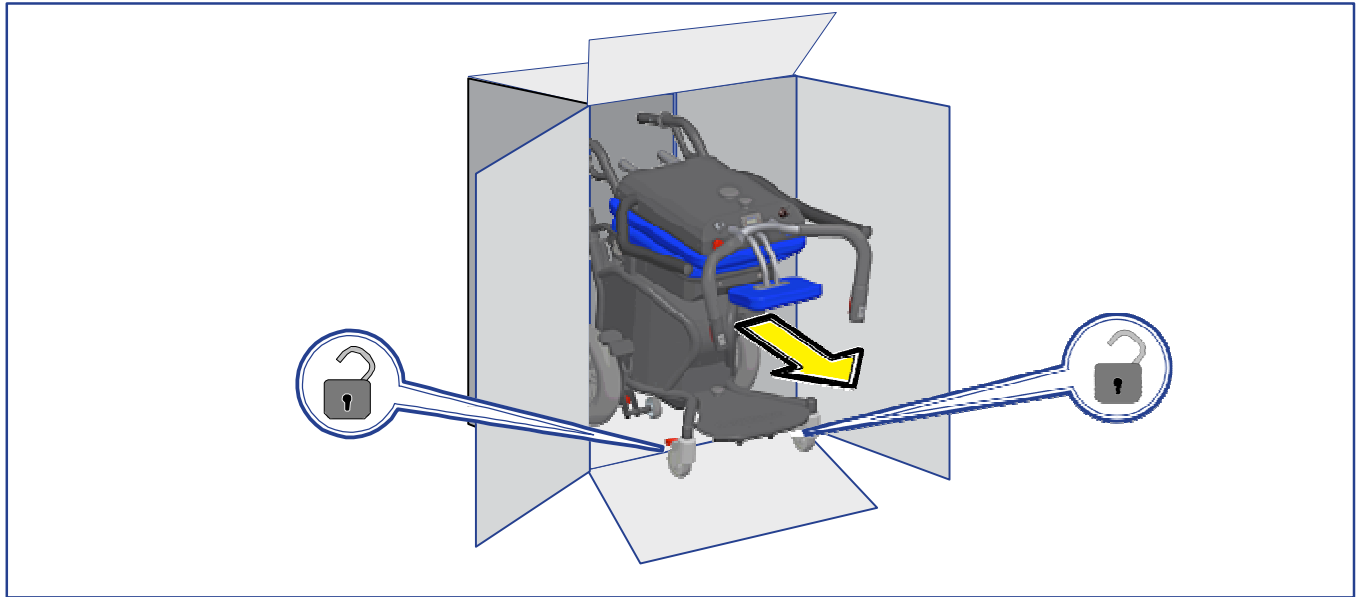
|   |  |
|---|--|
|  | <b>Read the instructions manual</b>  |
|  | <b>Operations which must be carried out by qualified personnel or the service centre</b> |
|  | <b>Attention! Important information</b>  |
|  | <b>Information</b>   |
|  | <b>Operations to be carried out by two people</b>  |
|  | <b>Compulsory use of the seat belts</b>  |

|   |  |
|---|--|
|  | <b>Warning, danger</b>   |
|  | <b>Risk of crushing fingers in the mechanical transmission</b> |
|  | <b>Electrical hazard</b>                                       |
|  | <b>Use of protective gloves</b>                                |
|  | <b>Only wear closed shoes</b>                                  |
|  | <b>Do not wear shoes with heels or slippers</b>                |

*The manufacturer reserves the right to changes to the product and its instructions manual without prior notice or updating of previous productions.*

*The manufacturer is not liable for damage resulting from improper use of the wheelchair by untrained or unauthorised personnel, unauthorised modifications and interventions, the use of unauthorised parts, exceptional events, or total or partial failure to comply with the instructions in this manual.*

### 3 UNPACKING



When a trolley is used to move the packaged product, use caution to avoid injuries caused by tipping.



• Open the package and remove its content taking care not to damage it.

**Once the product is completely unpacked, check to make sure it is not damaged.  
Any damage noted must be reported to the carrier within 24 hours.**

#### 3.1 Environmental protection recommendations



The packaging materials are 100% recyclable. For proper disposal, refer to local regulations in force. The packaging materials (plastic bag, polystyrene filling, etc.) must be kept out of the reach of children as they are a potential risk.

Pursuant to Art. 13 of Directive 2002/96/EC on waste electrical and electronic equipment,.



The symbol of the crossed-out wheeled bin on a machine or its packaging indicates that at the end of the product's life it must be collected separately from other waste.

The separate collection of this equipment that has reached the end of its useful life is organized and handled by the manufacturer.

Therefore users who wish to dispose of this equipment must contact the manufacturer and follow the system that the manufacturer has adopted for the separate collection of the equipment that has reached the end of its life.

Proper separate collection for the subsequent recycling, treatment and disposal of the disused equipment in a manner compatible with the environment helps avoid possible negative effects on health and the environment and contributes to the reuse and/or recycling of the materials used to make the equipment. Illegal dumping or other improper disposal of the product by its owner shall result in the application of the penalties provided for by the laws and regulations in force.

For further more detailed information about treatment, recovery and recycling of this product, please contact the appropriate local office about the law in force.

### 4 SYSTEM DESCRIPTION

The LG220 Stair Lift allows transporting disabled passengers is flat surfaces or stairs, thanks to a special electromechanical system that can climb up the steps of a building.

The movement is continuous and is made by the operator using the control button located on the handlebar.



## 4.1 Device components



- |   |                                |    |  |
|---|--------------------------------|----|--|
| 1 | Motorised basic structure      | 8  | Backrest                                     |
| 2 | Handlebar                      | 9  | Stair climber operating key (*)              |
|   | 2.1 ASCENT button              | 10 | Speed variator                               |
|   | 2.2 DESCENT button             | 11 | Battery charge indicator                     |
| 3 | Seat                           | 12 | Battery-charger connector                    |
| 4 | Step blocking wheels           | 13 | Emergency push button                        |
|   | 4.1 Step blocking wheel drives | 14 | Continuous cycle/single step selector switch |
| 5 | Front wheel with brakes        | 15 | Up/down mechanism                            |
| 6 | Feet rest                      | 16 | Light  |
| 7 | Headrest                       | 17 | Wheels                                       |
|   |                                | 18 | Battery-charger                              |

(\*) The device cannot perform the stair climbing functions without the key or with the key in the 0 (OFF) position

## 5 ASSEMBLY



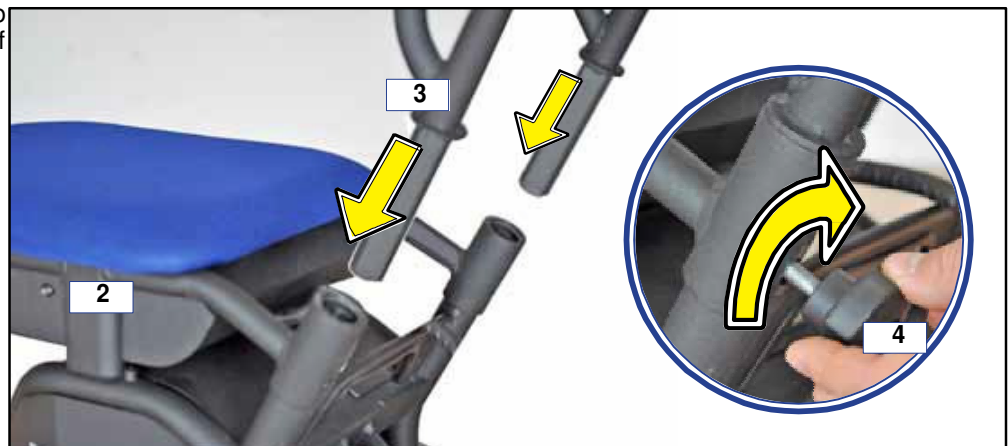
The device is supplied disassembled in three parts: machine body, handlebar and seat



- Couple the sit 2 to base 1.



- Couple the handlebar (3) and assemble the flywheels (4) to secure the three elements of the aid.



### Machine body connector

- Insert the connector, paying attention to the reference shown and then rotate it in a clockwise direction to lock it.
- To disconnect the connector, press the button on the base and turn it anti-clockwise.



Connect



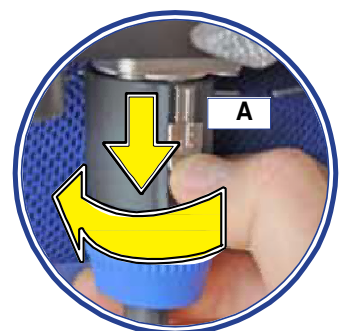
Disconnect

### Backrest connector

- Insert the connector, paying attention to the reference shown and then rotate it in a clockwise direction to lock it.
- To disconnect the connector, pull the tongue **A** and turn it anti-clockwise.




Connect



Disconnect

## 6 REGULATION

 Assembly and adjustment operations must only be carried out by authorised personnel

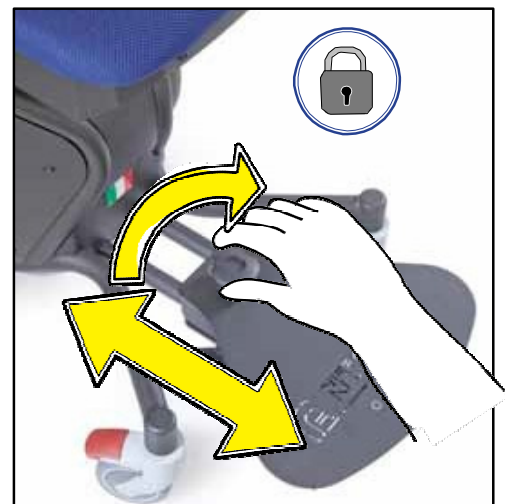
### 6.1 Adjusting the headrest

- Loosen the knob and adjust the position.



### 6.2 Adjusting the footrest

- Loosen the knob and adjust the position



### 6.3 Adjusting the handlebar

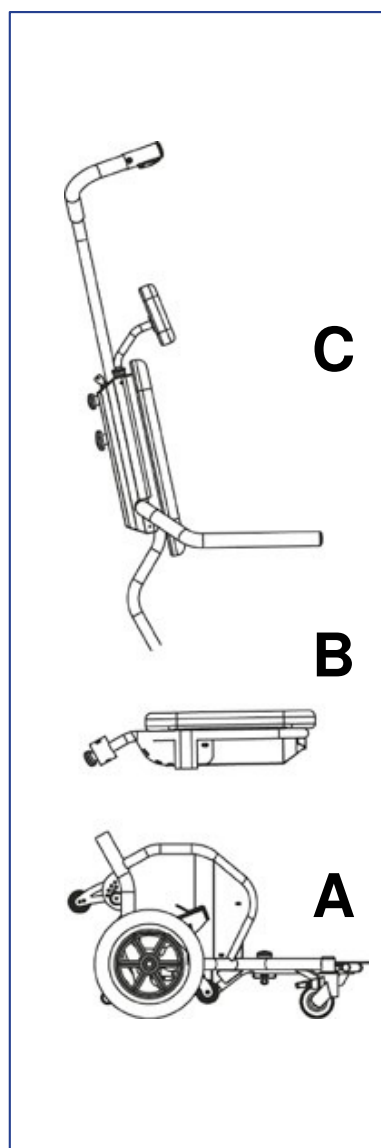
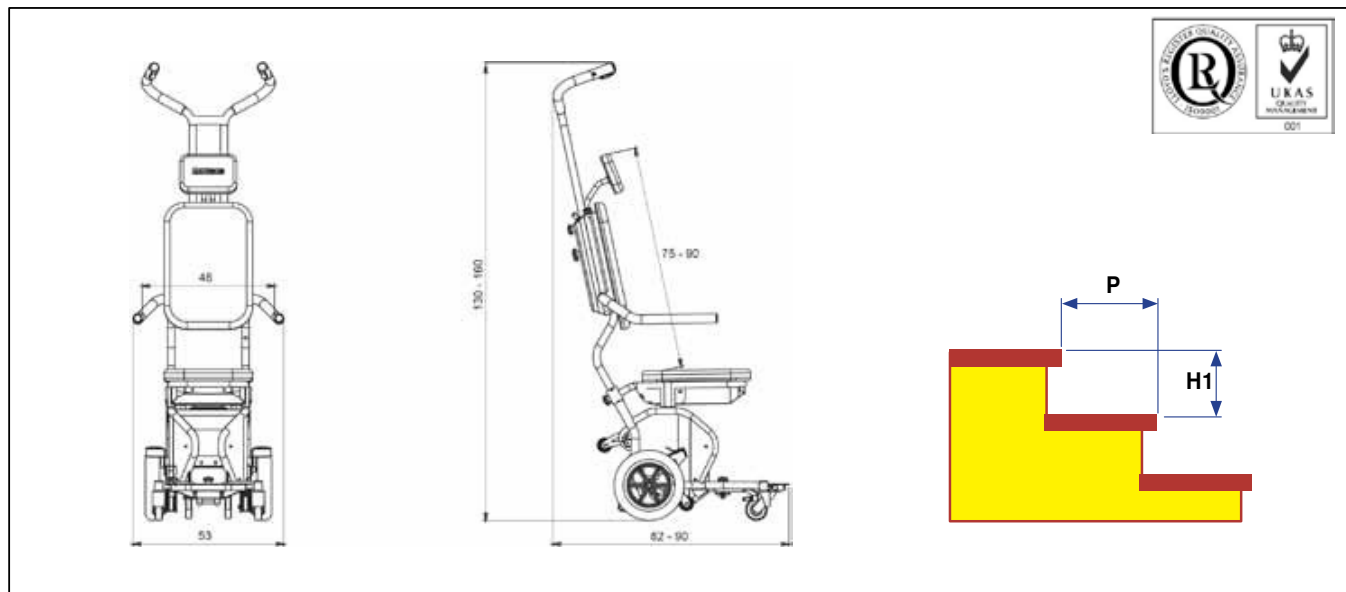
- Loosen the knob and adjust the position



## 7 TECHNICAL CHARACTERISTICS

 For data not indicated in this section, see the serial number plate affixed to the equipment

### 7.1 Dimensions

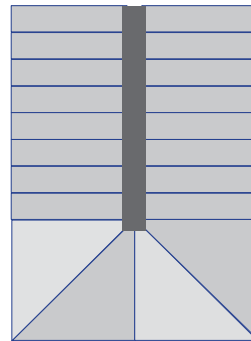
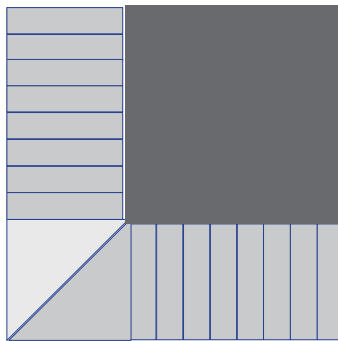
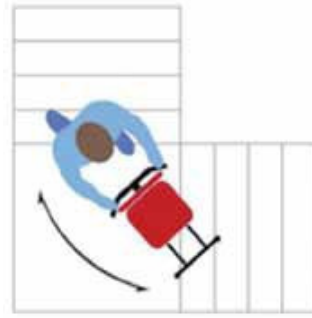
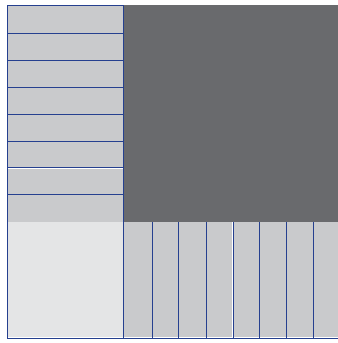


### 7.2 Technical data table

|  |                       |      |
|--|-----------------------|------|
| Total weight of the device   | 44 kg                 |      |
| - Weight of the base equipment A   | 24 kg                 |      |
| - Weight of the seat B   | 10 kg                 |      |
| - Weight of the backrest C   | 10 kg                 |      |
| Max load   | 160 kg                |      |
| Motor Power  | 350 W                 |      |
| Maximum dimensions   | 53x82 cm              |      |
| Minimum stair width  | 58 cm                 |      |
| Minimum dimension of the landing stairs (landing stairs "L")               | 100x75 cm             |      |
| Minimum dimension of the landing stairs (landing stairs "U")               | 100x120 cm            |      |
| P - Minimum stair depth (cm)   | 18 cm                 |      |
| H1 - max stair height (cm)   | 23 cm                 |      |
| Maximum speed (stairs/min)<br>(with charged battery)                       | 36                    |      |
| Power batteries (2 batteries)  | 12V. 9,0 A/h          |      |
| Battery-charger supply voltage   | 230 V / 50-60 Hz      |      |
| Average duration of battery charge (stairs)<br>(ref. person weighing 80kg) | 2400                  |      |
|  | uphill                | 1200 |
|  | downhill              | 1200 |
| Autonomy with charge indicator in reserve(steps)                           | 40                    |      |
| Battery charging time (hours)  | 8                     |      |
| Storage temperature with packaging (°C) (in dry environment)               | -10 ÷ 40 °C           |      |
| Temperature range in place of use (°C)                                     | 0 ÷ 40 °C             |      |
| Packaging dimensions   | 97x57x70 cm           |      |
| Total weight with packaging  | 60 kg                 |      |
| A-weighted sound pressure level  | < 70 dB               |      |
| VIBRATIONS: at the hand-arm system   | <2,5 m/s <sup>2</sup> |      |
| at the whooly body   | <0,5 m/s <sup>2</sup> |      |

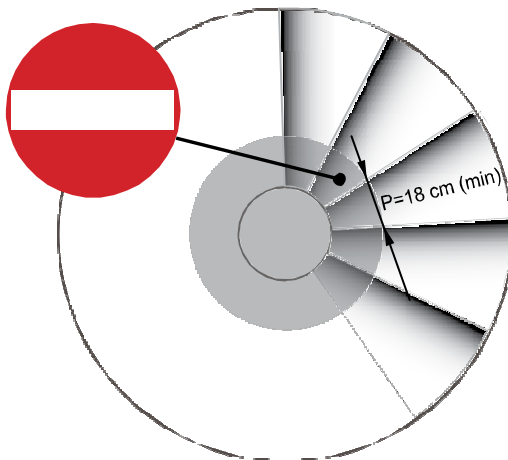
### 7.3 Characteristics of staircase

Staircase with landing



Staircase with turn

Spiral staircase





### INTENDED USE

Daily use of the device is authorised only if all the safety components and parts are working properly.

The device was designed to allow the ascent and descent of the stairs of a building with a passenger on board as well as transport on flat and gently sloping surfaces, with a stable bottom, as described in Chapter 7.

It is not intended for use on icy, muddy, or cobblestone surfaces or on grass or other unstable surfaces.

It is only intended for use as described in this manual; therefore, it is recommended that you carefully read these instructions to gain maximum familiarity and understanding of the chair's operational functions.

### HANDLING ON STAIRS

To handle the device on stairs, the operator must possess a certificate of qualification issued by the manufacturer or an authorised representative, only after having received direct theoretical and practical training and only after demonstrating the ability to safely perform all the operations described in this manual, especially handling the device with a passenger on board going both up and down stairs. (see attached sheet for training)

In case the person who handles the device is replaced or in case of shift rotation, ensure that all those handling the device have been qualified by the manufacturer or an authorised representative; unqualified people are not allowed to handle the device; only the manufacturer or an authorised representative can train and qualify a person to handle the device.

### INTENDED PURPOSE

The device must only be used for transporting persons with limited mobility.

### PRECAUTIONS FOR USE

- It cannot be used to ascend or descend stairs if the operator does not possess the specific qualification issued by the manufacturer or an authorised representative.
- It cannot be used by persons (operators) who have not thoroughly read and understood the rules provided in this manual.
- It cannot be used by operators with a slight physical build or who are not able to handle the total mass of the device.
- The device cannot be used in areas subject to splashing water or critical and unfavourable weather conditions.
- It must not be used in any case in which the principles described in Chapter 2 are not respected.
- It must not be used if any faults are noted: these may cause unpredictable, dangerous situations.

### RESIDUAL RISKS

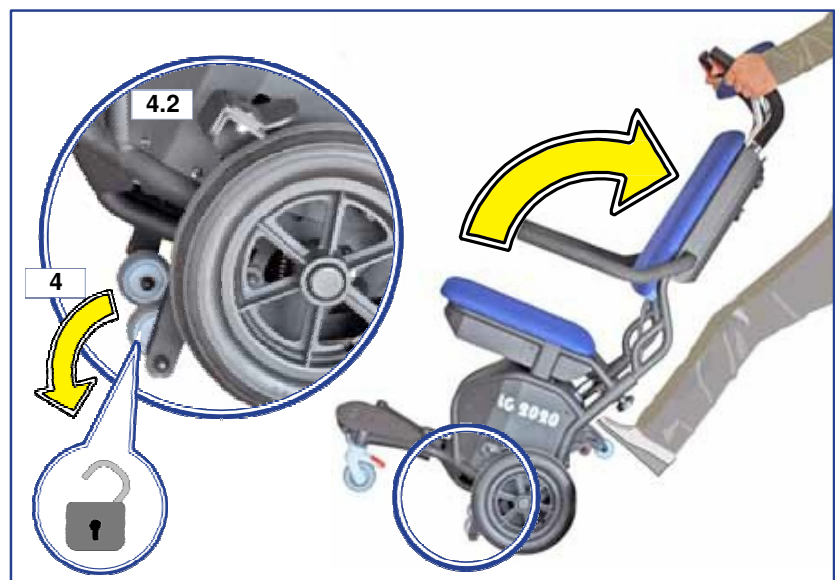
#### • Enabling the step edge detector wheels:


Warning! Before starting to go down the stairs, tilt the aid back until both step edge detector wheels are engaged.

These automatically activate the brakes (4.2), stopping the aid on reaching the first step to start the descent.

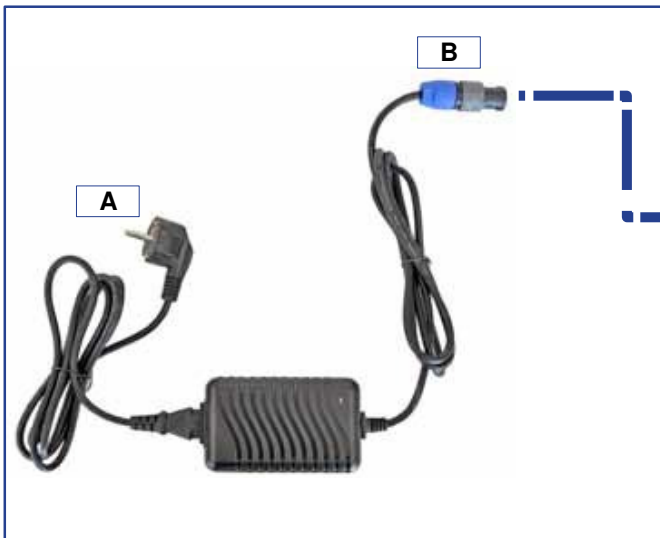
If this is not done, the aid will not come to a halt and there will be a high risk of the aid and the passenger falling down the stairs

- Risk of crushing the feet of the operator if the necessary safety precautions described in this manual are not followed.
- Risk of entanglement if clothing is long and gets caught in the lower part of the aid.
- Risk of the transported person falling if the necessary safety precautions for handling the device and ensuring upright and stable passenger positioning, indicated in the manual, are not observed.



 Before using each day, always check the status of the device and the battery charge

9.1 Charging the battery



The battery must only be charged using the battery-charger and cables supplied.

The outlet of the electrical system to which the battery charger must be connected should be equipped with an efficient earthing system according to current regulations in force.

Avoid using extension cords, adapters or other devices.

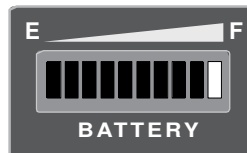
The battery's charge status is shown on the instrument located on the aid when the control panel key is in position I (ON).

The batteries do not require maintenance.

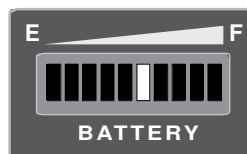
- Connect the connector (B) to the aid's outlet.
- Connect the battery charger's plug (A) to the electrical network

If the battery is running on reserve or completely discharged, it will take approx. 8 hours to charge it.

**Charge status indications**

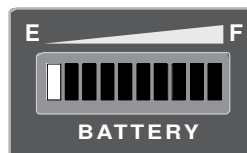


**Battery charged**




**Battery running on reserve**  
(autonomy approx. 80 steps)


Charge the battery



**Battery almost discharged**  
(autonomy approx. 20 steps)

Charge the battery

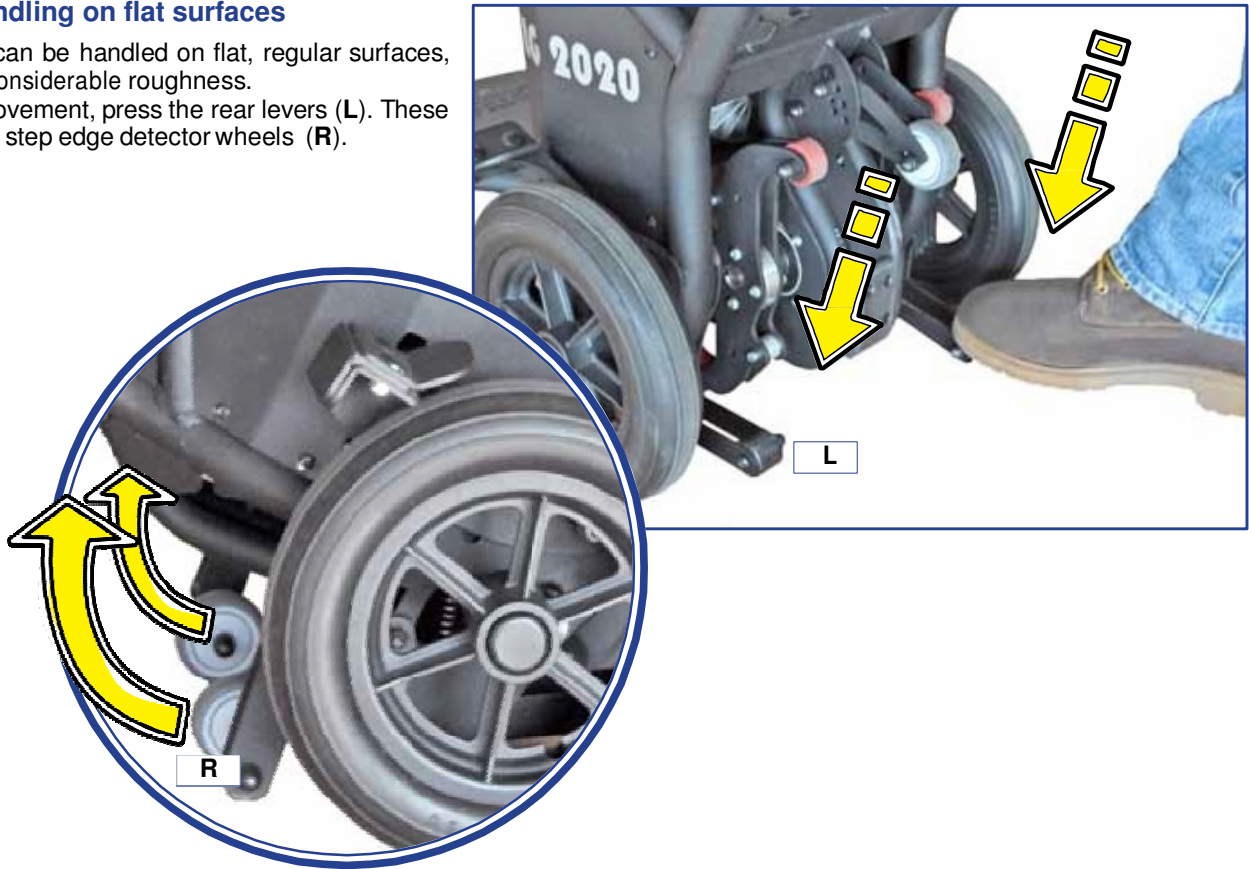
 If the device will not be used for a long period a time (more than 1 month), the battery must be charged each month

 The replacement of the battery can only be done by an authorized service center.

## 9.2 Handling on flat surfaces

The aid can be handled on flat, regular surfaces, without considerable roughness.

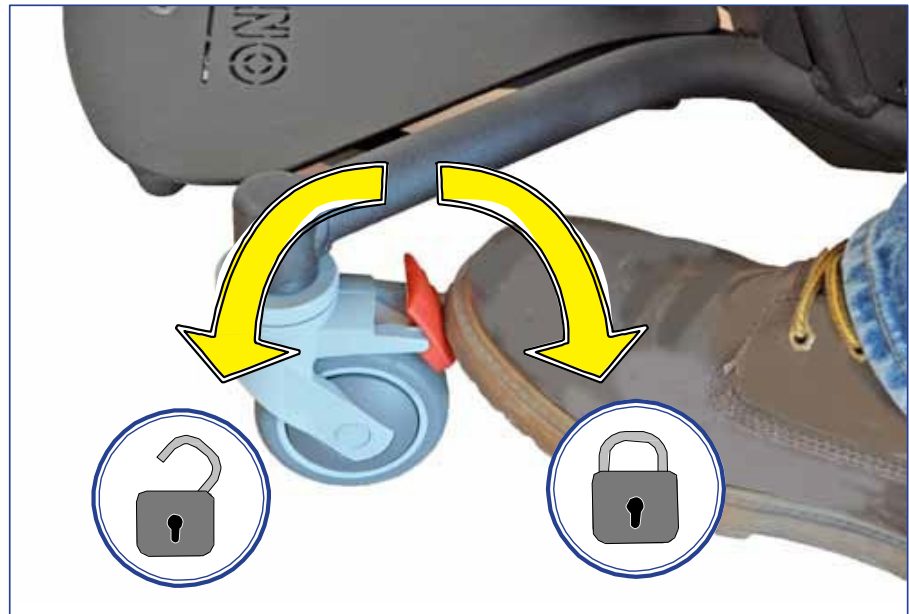
To aid movement, press the rear levers (L). These lift up the step edge detector wheels (R).



## 9.4 Brakes

The front wheels are equipped with a brake that is operated by foot.

The brakes must always be activated when stopped on the landing or in places where the aid can move freely.



## 9.2 Handling on stairs



The person who operates this device on stairs, both going up and down, must possess a certificate of qualification issued by the manufacturer or an authorised representative, only after having received direct theoretical and practical training and only after demonstrating the ability to safely perform all the operations described in this manual.

The operator and the passenger must be careful not to wear long scarves or loose clothing; these may get caught in the device and cause dangerous situations.

Never approach a staircase if the passenger is not in a fully upright position, (position of movement see USE chapter). Use the special seat belts to secure the passenger to the backrest.


Before ascending or descending the staircase, verify the characteristics of the stairs:


- dimensions of the steps as described in Chapter 7.
- they must not be covered by rugs or fitted carpeting
- they must not be unstable or unfinished, but compact
- they must not have irregular, broken or collapsed edges
- they must not be wet or slippery,

 Read the instructions manual

 Only wear closed shoes.

 Risk of crushing fingers in the mechanical transmission

 Make sure that the dimensions of the steps are compatible with the specifications provided (see Chapter 7) If the steps are not compatible DO NOT attempt to go up/down them; request information directly from the manufacturer or an authorised representative.

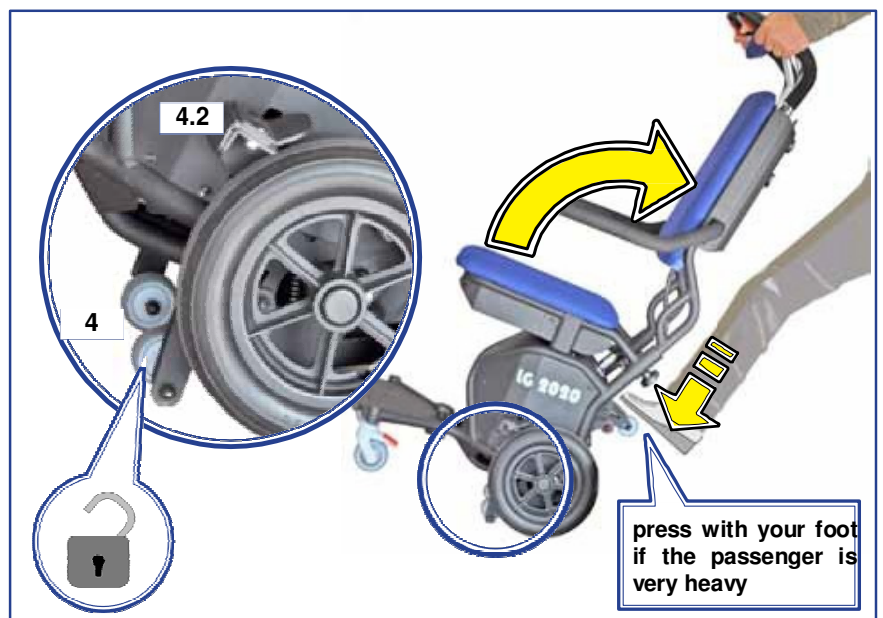
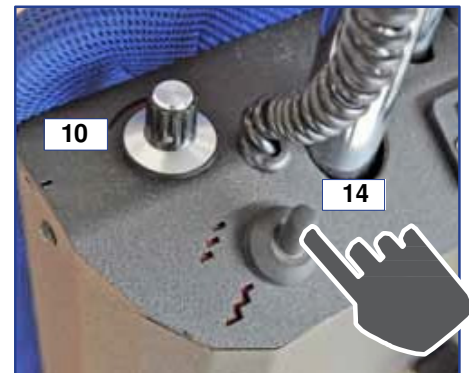
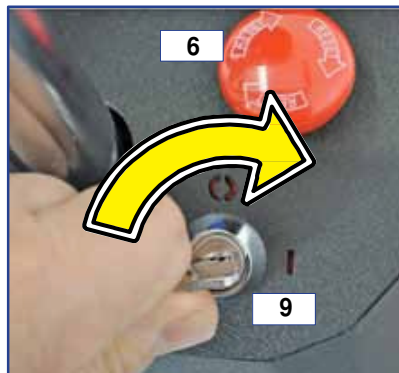
 Make sure the battery has sufficient charge to be able to perform the job required.

 Compulsory use of the seat belts



### 9.2.1 To go up stairs

- 1 Put the control panel key **9** in position I (ON) AND Check the battery's charge level **11**.
- 2 Adjust the potentiometer (10) to the desired speed. A low speed is advisable the first few times.
- 3 Set the movement mode selector switch (14) (continuous cycle/single step) to the "single step" position (⏏).  
In this way, the device will stop on the next step, even if the button is held down. If the selector switch is on the (⏏) position, on the other hand, the aid will continue its movement continuously as long as the button is held down.
- 4 Check that the emergency button (6) is released, following the RESET instructions printed on the button itself.
- 5 Ensure that the passenger has the seat belt fastened.
- 6 Take firm hold of the handlebar and tilt the device until the step blocking wheels **4** are inserted; these control the wheel brakes (4.2) and are therefore very important for safety.





To facilitate the positioning of the passenger, the armrests can be raised completely



- 7 Fasten the seat belts to ensure the passenger is in correct position.
- 8 Go near the stairs.
- 9 Adjust the height of the handlebar.



- 10 The operator must be positioned at least 2 steps above the aid's wheel.  
The tips of the shoes must not jut out from the step.

- 11 Move the aid towards the first step until the rear wheels are up against the riser of the step itself.



This wheel must rest on the step



**Attention!** accompany the natural movement of the aid without resisting it; at the same time keep your hands firmly on the handlebar.

- 12 Firmly grip the handlebar and press the ASCENT button ; hold down the button until the end of the cycle of 1 step (see next sequences).



Ascending cycle (S1....S3)

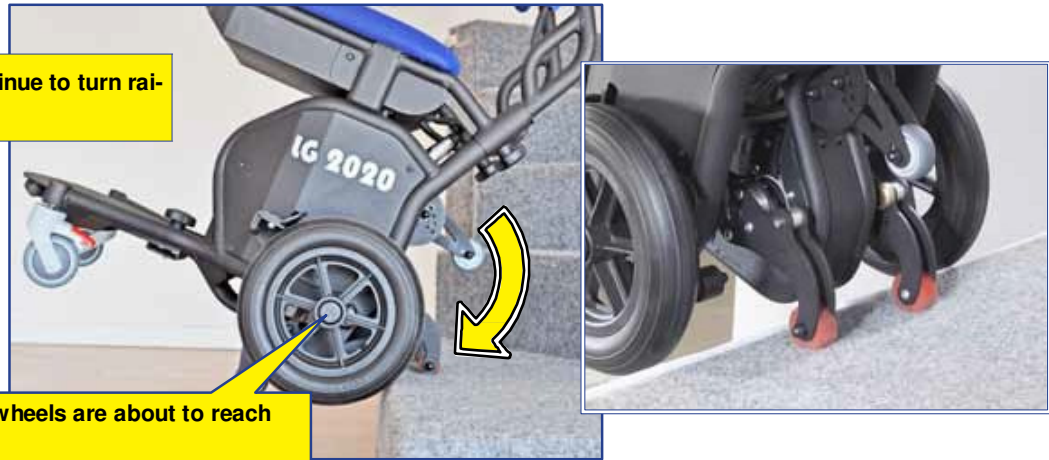
**S1**

The arms make one rotation to the next logical step



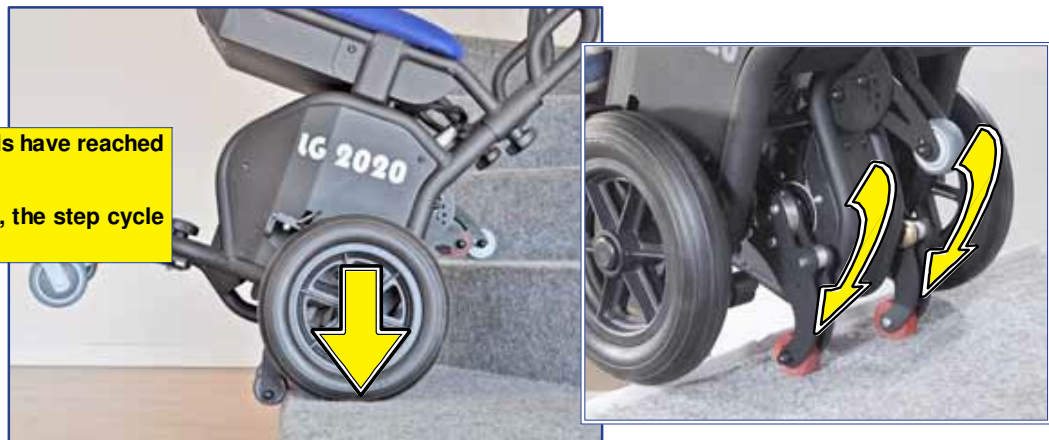
**S2**

The arms continue to turn raising the aid



**S3**

The rear wheels have reached the tread  
The arms stop, the step cycle is complete

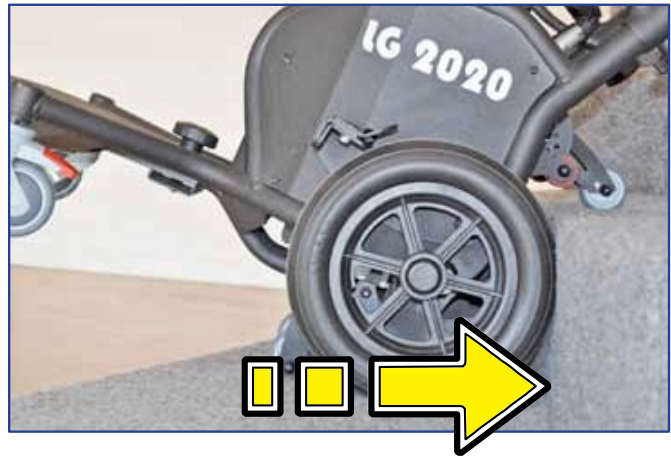


- Release the UP button and place yourself on the upper step, pulling the device towards the second step.
- Repeat the cycle for the rest of the stairway



**The stairs have ended**

- Turn the key of the panel to O (OFF) and remove it to ensure that no one other than the qualified operator can use the device.



### To go down down stairs

- 1 Turn the key of the panel to I (ON) and verify the battery charge level.
- 2 Position (at least for the first few time) the speed variator on the SLOW position.
- 2 Adjust the potentiometer (10) to the desired speed. A low speed is advisable the first few times.

- 3 Set the movement mode selector switch (14) (continuous cycle/single step) to the "single step" position (⏏).  
In this way, the device will stop on the next step, even if the button is held down. If the selector switch is on the (⏏) position, on the other hand, the aid will continue its movement continuously as long as the button is held down.

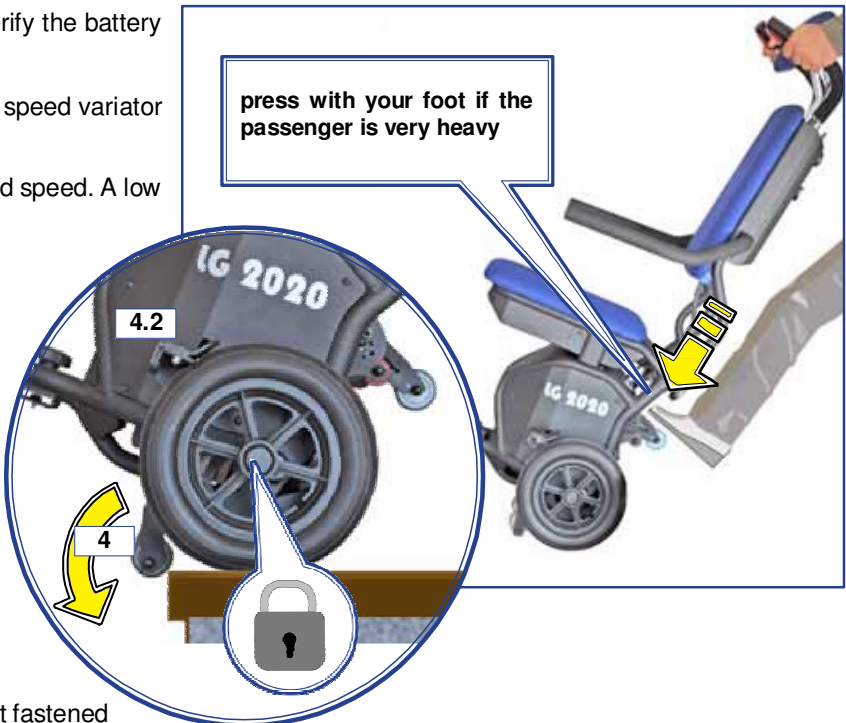
- 4 Check that the emergency button (6) is released, following the RESET instructions printed on the button itself.

- 5 Ensure that the passenger has the seat belt fastened

- 6 Take firm hold of the handlebar and tilt the device until the step blocking wheels 4 are inserted; these control the wheel brakes (4.2) and are therefore very important for safety.

- 7 Move carefully to the first step so that you are fully straight with the direction of the stairs.

- 8 Warning! push the device forwards until the wheel block is activated:  
The wheels are automatically blocked when the safety equaliser bar 4 is away from the surface.



**Attention!**  
accompany the natural movement of the aid without resisting it; at the same time keep your hands firmly on the handlebar.

9 Firmly grip the handlebar and press the DESCEND button; hold down the button until the end of the cycle of 1 step (see next sequences).



**Descending cycle (D1.....D5)**

**D1** Starting position:  
The wheels are blocked on the edge of the step



**D2** The arms rotate as indicated in the figure, while the aid is gradually pushed forwards and downwards



**D3** The arms rotate as indicated in the figure, while the aid is gradually pushed forwards and downwards



**D4**

The aid lowers until touching the next step

**D5**

The rear wheels have reached the tread

The arms stop, the step cycle is complete



- Release the DOWN button and place yourself on the lower step, pushing the device towards the next step.
- Repeat the cycle for the rest of the stairway.



You have reached the bottom of the stairway.

- Turn the key of the panel to OFF and remove it to ensure that no one other than the qualified operator can use the device.

## 10 ROUTINE MAINTENANCE

The device requires routine maintenance as any other product in order to keep it in perfect working order, even after years of use. Remove food debris, hair and anything else that can accumulate, such as dust on a daily basis; a vacuum cleaner can be used for this.

The following table indicates the frequency with which maintenance must be performed. Constant checking should prompt the user to carry out necessary maintenance operations based on actual necessity

**Routine maintenance table**

| Frequency  |  |
|--|--|
| 6 months   | <b>Cleaning the metal parts (ref. 10.1)</b><br>Depending on use and necessity, clean and lubricate the parts indicated<br><br><b>Pulizia delle parti in plastica (ref. 10.2)</b><br>Depending on use and necessity, clean the parts indicated<br><br><b>Cleaning the wheels (ref. 10.3)</b><br>Depending on use and necessity, clean and lubricate the parts indicated   |
| 2 months   | <b>Lubrication</b><br>Depending on use and necessity   |
| 1 year   | <b>General inspection</b> <ul style="list-style-type: none"><li>• check wheel functionality</li><li>• check brake system</li><li>• check that upholstery and padding is intact</li><li>• check that fastening screws are tightened</li><li>• check that tightening hand wheels of the various parts are intact</li><li>• check the controls on the electrical panel</li><li>• check the up / down buttons</li><li>• check the battery charger's cables and connector</li><li>• check the paint</li><li>• check that the plastic parts are intact</li></ul> |
| 6 months   | <b>Battery</b><br>Make sure the charging time of the battery is not too long; if it is, contact the authorised service centre  |
| upon each sale to third parties or recommissioning | <b>Disinfection</b><br><b>Attention! The use of disinfectants is reserved exclusively for authorised personnel who are adequately trained to use of these products</b><br>The device must be disinfected by specialised centres in compliance with the provisions established by the competent health authorities.<br>For additional information contact the authorised service provider.  |

### 10.1 Cleaning the metal parts

The painted metal parts can be used cleaned with commercial sprays sold for household use, but they should not contain alcohol or solvents as these may cause discolouring or damage the paint itself.

The chrome parts can be cleaned with normal household products and then thoroughly dried. Do not use water jets or sprays.

### 10.2 Cleaning the plastic parts

Use a common commercial detergent for plastics to clean the plastic parts, and follow the instructions and warnings provided along with the product.

Do not use alcohol or solvent-based products

Do not use water jets or sprays

### 10.3 Cleaning the wheels

The wheel should be cleaned periodically, depending on the wheel type and the environment in which the wheelchair is used.

Remove any solids from the surfaces that can become wedged in the wheel and any wires and hair that can become wrapped around the hub making rotation difficult.

Clean the brake wheel mechanism using a brush.





Operations which must be carried out by qualified personnel or the service centre as described on chap. 12

| PART                                   | PROBLEM  | SOLUTION  |
|--|--|---|
| <b>Wheels</b>                          | squeaking during movement  | <ul style="list-style-type: none"> <li>• clean the wheels</li> <li>• lubricate</li> <li>• replace (🔧)</li> </ul>  |
| <b>Commands</b>                        | No electrical command is accepted; the battery is discharged   | <ul style="list-style-type: none"> <li>• Check the charge status of the battery and if necessary, recharge it.</li> <li>• Contact the service centre</li> </ul>                     |
| <b>Battery</b>                         | The battery is not charging normally; it takes too long or is not fully charged  | <ul style="list-style-type: none"> <li>• Make sure the battery-charger is working correctly</li> <li>• Check the connection cables</li> <li>• Contact the service centre</li> </ul> |
|  | The battery has a limited charge   | <ul style="list-style-type: none"> <li>• Make sure the battery-charger is working correctly</li> <li>• Contact the service centre</li> </ul>  |
| <b>Ascending and descending stairs</b> | The systems slows when ascending   | <ul style="list-style-type: none"> <li>• Charge the battery</li> <li>• Clean or lubricate the ascent/descent mechanisms (🔧)</li> <li>• Contact the service centre</li> </ul>        |
|  | The command is not accepted<br>- blown fuse<br>- blown relay   | <ul style="list-style-type: none"> <li>• replace the fuse (🔧)</li> <li>• replace the relay (🔧)</li> </ul>   |
| <b>Brakes near steps</b>               | During descent, the aid does not stop after passing the edge of the step<br>- The brakes on the rear wheels are not adjusted correctly | <ul style="list-style-type: none"> <li>• Contact the service centre</li> </ul>  |


If, after intervention, the aid still has a problem which limits its correct operation, even in part, the operator or person in charge of its use, must immediately contact the technical assistance centre or the manufacturer.




Operations which must be carried out by qualified personnel or the service centre



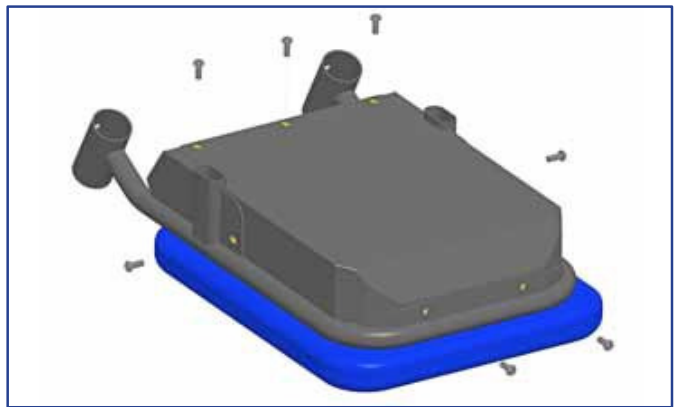
### 12.1 Parts subject to wear and the criteria for their replacement

|                  |             |   |      |
|------------------|-------------|---|------|
| <b>Batteries</b> | Replacement |  | 4 mm |
|------------------|-------------|---|------|

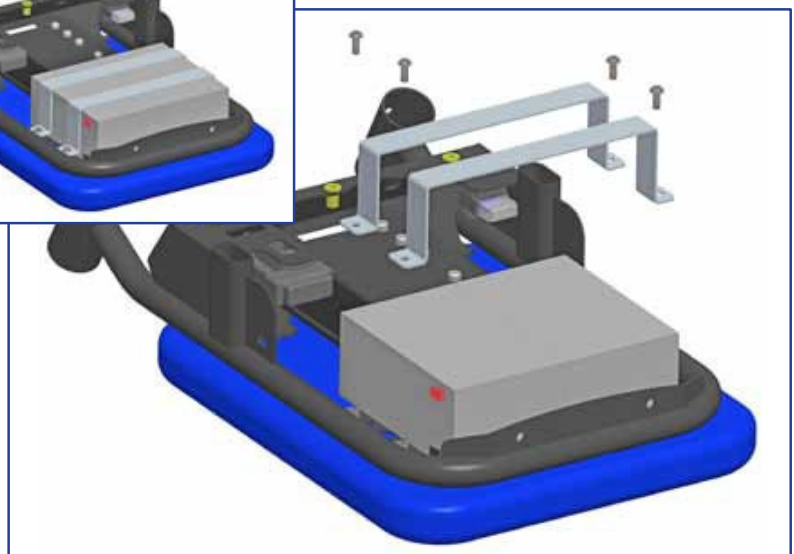
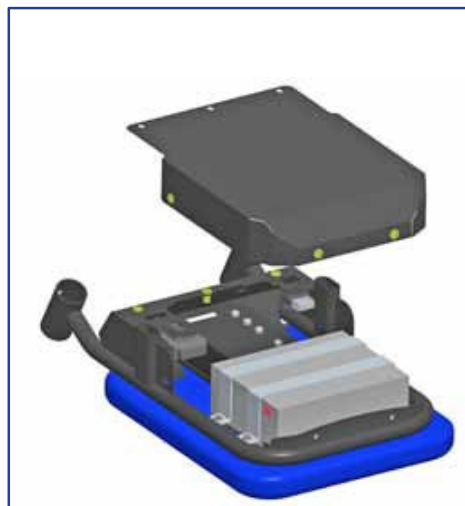
-  Remove the key from the panel and put it in a safe place.
- Remove the seat and rest it on a surface



Remove the screws that secure the guard to the frame.



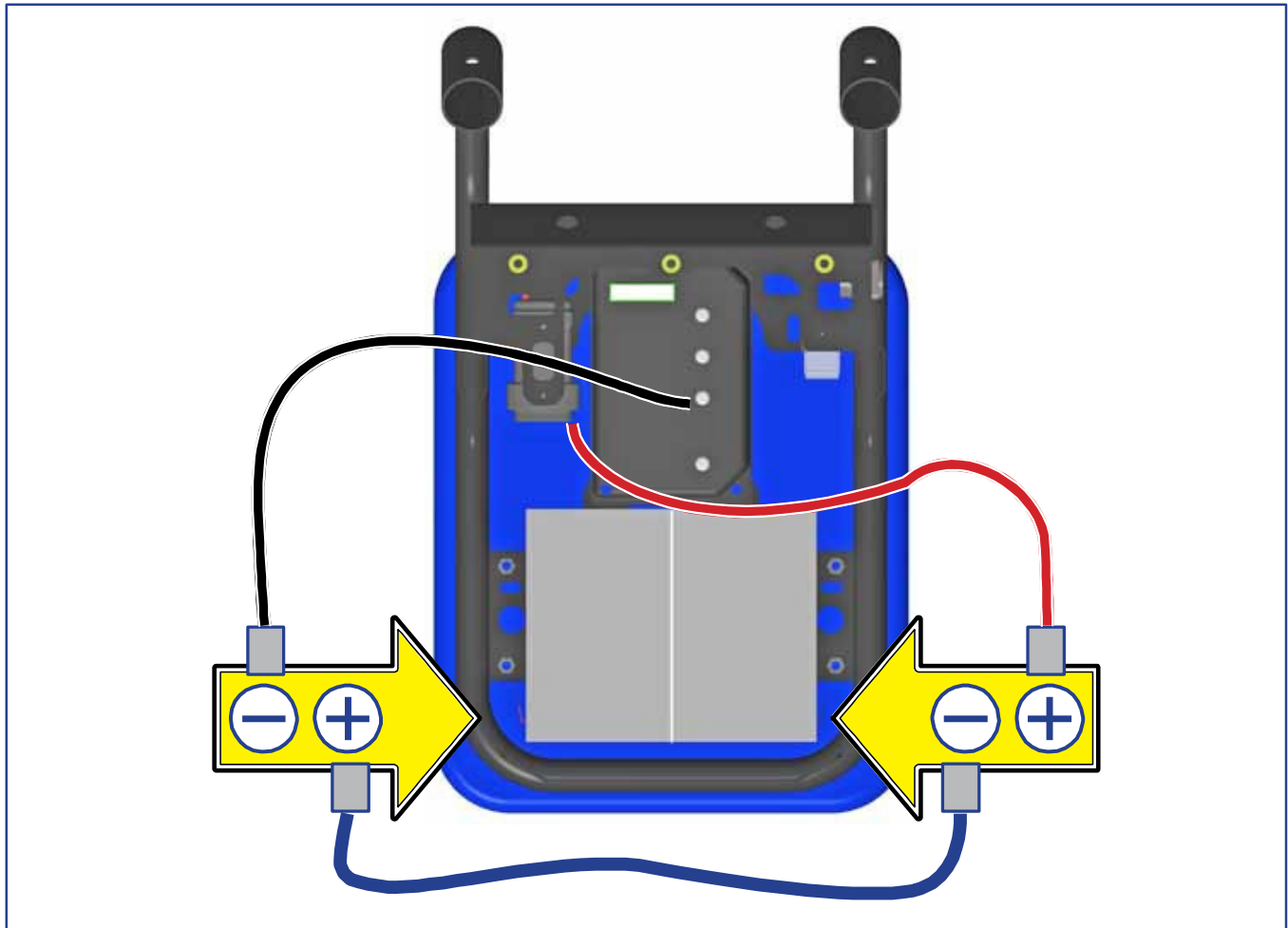
- Remove the guard being careful not damage it.
- Remove the screws and the fastening brackets to release the batteries






**Operations which must be carried out by qualified personnel or the service centre**

- Electrically disconnect the batteries making sure not to use metal objects
- Replace both batteries and restore the electrical connections as indicated on the picture.
- Reinstall all the parts in the reverse order as previously described.



| Fuses | Replacement |  |  |
|-------|-------------|--|--|
|       |             |  |  |

-  Remove the key from the panel and put it in a safe place

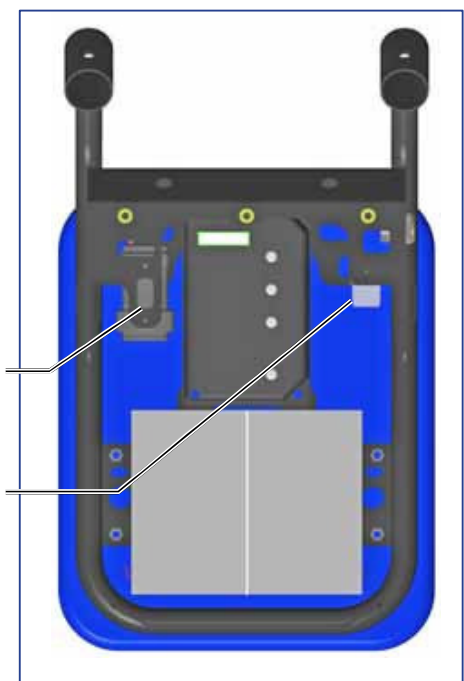
Remove the guard as described in the previous paragraph concerning battery replacement;

Replacing the fuses:

- slip off the protective cap and remove the fuse to replace it

**Ascent – Descent  
motor fuse (15 A.)**

**Battery-charger  
protection fuse (15 A.)**



The product is covered by a 24 month legal guarantee beginning from the date of delivery (legislative decree 24/2002) to the customer by Antano Group and CE Directive 1999/44), against any manufacturing defect.

During the guarantee period, wheelchair maintenance is carried out directly at the manufacturer's headquarters, fully paid for by the manufacturer, or at service centres located throughout the country.

The guarantee does not cover parts subject to wear due to their nature or destination.

The guarantee is void in the following cases:

- improper use or use other than that specified in this use and maintenance manual;
- modifications, repairs or tampering by non-authorized personnel.
- the guarantee does not, in any circumstances, provide for compensation for damages.
- transport and packaging expenses for any products under guarantee which must be shipped are to be paid by the customer.

The guarantee does not, in any circumstances, provide for compensation for damages.

Replacement parts are available for 10 years.

If the customer detects problems with the product, s/he must immediately notify the manufacturer or authorised representative in country and provide specific information regarding the defects found and citing the data listed on the nameplate affixed to the aid.

The customer, after coming to an agreement with the manufacturer or authorised representative, will send the aid for repair under guarantee.

During the guarantee period, technical intervention will take place at the manufacturer's facility who will also determine whether the technical problem is due to a manufacturing defect or some other cause.

This manual must be kept by the owner and remain with the wheelchair in order for the guarantee to be honoured.

The guarantee period starts from the date of delivery