

KR 6000D

Komfi-Rider 6000 Deluxe

Get there quicker... and travel in style

- > Fantastic contemporary design
- > Fully adjustable slide-and-swivel captain's seat, with adjustable headrest
- > Travel at up to 6mph in comfort and safety



Mobility Scooter Owner's Manual



Table of Contents




1. Preface	3
2. Safety Notices	4
3. Electromagnetic Interference (EMI)	6
Electromagnetic Interference (EMI) From Radio Wave Sources	7
Powered Scooter Electromagnetic Interference (EMI)	7
4. Parts	8
5. Operation	9
Control Panel	9
Power Switch	9
Forward & Reverse	9
Driving Speed	9
Braking & Stopping	9
Headlight/Tail light Button	9
Turn Signal Buttons	10
Battery gauge	10
Sleep Mode	11
Clock	11
Seat	11
Tiller Adjustment	12
Drive Mode	12
Freewheel Mode	12
Driving Your Scooter	12
6. Batteries & Charger	13
Charging the Batteries	13
7. Inspection & Maintenance	14
Daily Checking	14
Regular Maintenance Record	4
Battery, Fuses, Circuit Breaker and Tires	16
Maintenance	17
8. Troubleshooting	17
9. Specifications	20
10. Limited Warranty	21
11. Product Registration	22

Preface

Please read this owner's manual before using the mobility scooter. Improper use of the mobility scooter could result in harm, injury or traffic accidents.

This owner's manual includes operation instructions for every aspect of the mobility scooter, assembly instructions, as well as instructions for how to deal with possible accidents.

The symbols used in this manual are explained below. Read carefully, especially the parts marked with these symbols:

 Warning	Improper usage could lead to death or serious injury
 Caution	Improper usage could lead to injury and/or damage to your mobility scooter.
 Suggestion	Follow these instructions to keep the status of the mobility scooter working well and ease your operation.

This manual includes the repair and maintenance record chart and warranty. Please keep it in a proper place or on the scooter.

If someone else uses the scooter, please be sure to give the instruction manual to him or her.

As designs change, some illustrations and pictures in the manual may not correspond to the scooter that you purchased. We reserve the right to make design modifications.

The manufacturer disclaims all responsibilities for any personal injury or property damage which may occur as a result of improper or unsafe use of its products.

Safety Notices

Become familiar with the operation of your scooter before the first use of your scooter and keep these safety notices in mind.

Practice operating your scooter

Until you are familiar with the operation of your scooter, please practice in a wide and open area, like a park. To prevent the possibility of falling off your scooter while driving, bear in mind the scooters driving motion, such as whether it is accelerating, stopping, turning, reversing, or going up or down inclines.

1. Please set the speed dial to the lowest speed initially.
2. Be sure someone is accompanying you and watches for traffic while you are driving on the road for the first time.
3. Be sure you are able to control and operate your scooter safely and confidently before changing to a higher speed.

The One Rehab scooter is limited to one passenger

Do not carry any passengers on your scooter (including children). Do not use this scooter to carry or transport goods.

REGULAR USE OF YOUR SCOOTER

Please carry out daily inspections. Refer to the “Inspection & Maintenance” section of this manual for inspection procedures. Always make sure your scooter’s battery is fully charged before operating. Make sure the throttle lever is secure before turning on your scooter.

Warning!

Do not operate the scooter unless the tiller (handlebar column) is up, the teeth in the tiller adjustment bolt fit together, and the bolt is fully tightened.

Do not lean against, or pull forward on, the handlebar while mounting or dismounting from the scooter. Serious harm or injury may occur.

Do not use a mobile phone or other wireless communication device while driving

Also, do not charge a mobile phone or other electrical devices from your scooter.

Be careful driving on or near ramps and inclines

1. Be careful while driving up a steep incline. Refer to “CLIMBING ANGLE” in the “Specifications” section of this manual for details.
2. Do not pass through water covering the road unless the water is less than 1 inch deep.
3. Do not make sudden turns while driving on ramps.



Warning!

Do not set the scooter in freewheel mode when driving on an incline or decline.

Maximum User Weight Limit

Refer to “MAXIMUM LOAD WEIGHT” in Section 9 “SPECIFICATIONS” for details. Overloading your scooter will lead to damage to, or malfunction of, your scooter. This could cause the scooter to become a safety hazard. The warranty does not cover damage from overloading.

LABELLING OF YOUR SCOOTER

Please read all the labelling on the scooter before driving it. For your future reference, do not remove them.

Electromagnetic Interference (EMI)

This portion of the manual will provide the user with basic information about the problems with EMI (electromagnetic interference), protective measures can be used to either lessen the possibility of exposure or to minimize the degree of exposure; this section also shows some conditions that unexpected or erratic movements may cause.



Caution

It is very important that you read this information regarding the possible effects of electromagnetic interference on your electric One Rehab mobility scooter.

ELECTROMAGNETIC INTERFERENCE (EMI) FROM RADIO WAVE SOURCES

Mobility scooters may be susceptible to electromagnetic interference (EMI), which is interfering electromagnetic energy (EM) emitted from sources such as radio stations, TV stations, amateur radio (HAM) transmitters, two-way radios, and cellular phones. The interference (from radio wave sources) can cause the mobility scooter to release its brakes, move by itself, or move in unintended directions. It can also permanently damage the mobility scooter's control system. The intensity of the interfering EM energy can be measured in volts per meter (V/m). Each mobility scooter can resist EMI up to a certain intensity level. The higher the immunity level the greater the protection. At this time, current technology is capable of achieving at least a 20 V/m immunity level, which would provide useful protection from the more common sources of radiated EMI. This mobility scooter model as shipped, with no further modification, has an immunity level of 20 V/m without any accessories.

There are a number of sources of relatively intense electromagnetic fields in the everyday environment. Some of these sources are obvious and easy to avoid. Others are not apparent and exposure is unavoidable. However, we believe that by following the warning listed below, your risk to EMI will be minimized.

The sources of radiated EMI can be broadly classified into three types:

1. Hand-held portable transceivers (transmitter-receivers with the antenna mounted directly on the transmitting unit). Examples include: citizens band (CB) or hand held radios, (security, fire, and police transceivers), cellular telephones and other personal communication devices.
NOTE: Some cellular telephones transmit a signal while they are ON but not being used.
2. Medium-range mobile transceivers, such as those used in police cars, fire trucks, ambulances and taxis usually have the antenna mounted on the outside of the scooter.
3. Long-range transmitters and transceivers, such as commercial broadcast transmitters (radio and TV broadcast antenna towers) and amateur (HAM) radios.

NOTE: Other types of hand-held devices, such as cordless phones, laptop computers, AM/FM radios, TV sets, CD player, and cassette players, and small appliances, such as electric shavers and hair dryers, are not likely to cause EMI problems to your mobility scooter.

MOBILITY SCOOTER ELECTROMAGNETIC INTERFERENCE (EMI)

EM energy rapidly becomes more intense as one moves closer to a transmitting antenna (source). The EM fields from hand-held radio wave sources (transceivers) are of special concern. It is possible to unintentionally bring high levels of EM energy very close to the mobility scooter's control system while using these devices; this can affect your scooter's movement and braking. Therefore, the warnings listed below are recommended to prevent possible interference with the control system of a mobility scooter.

Warning!

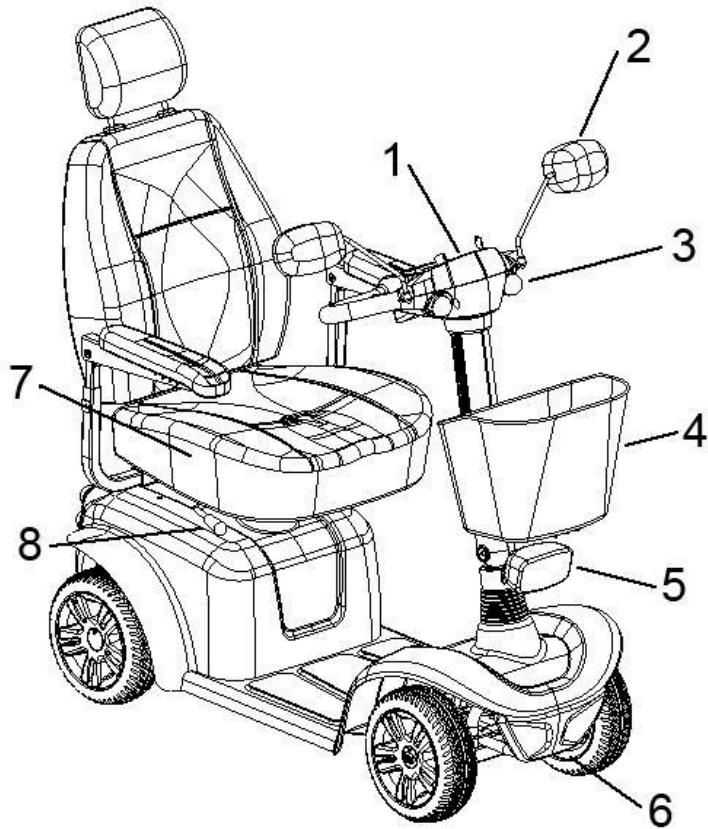
Electromagnetic interference (EMI) from sources such as radio and TV stations, amateur radio (HAM) transmitters, two-way radios, and cellular phones can affect mobility scooters. Following the warnings listed below should reduce the chance of unintended brake release or mobility scooter movement which could result in serious injuries.

1. Do not operate hand-held transceivers-receivers, such as citizens band (CB) radios, or turn ON personal communication devices, such as cellular phones, while the mobility scooters turned ON.
2. Be aware of nearby transmitters, such as radio or TV stations, and try to avoid getting close to them.
3. If unintended movement or brake release occurs, turn the mobility scooter OFF as soon as it is safe.
4. Be aware that adding accessories or components, or modifying the mobility scooter, may make it more susceptible to EMI.
5. Report all incidents of unintended movement or brake release to One-Rehab

Medical, and note whether there were sources of EMI nearby.

Parts

KR6000 Deluxe

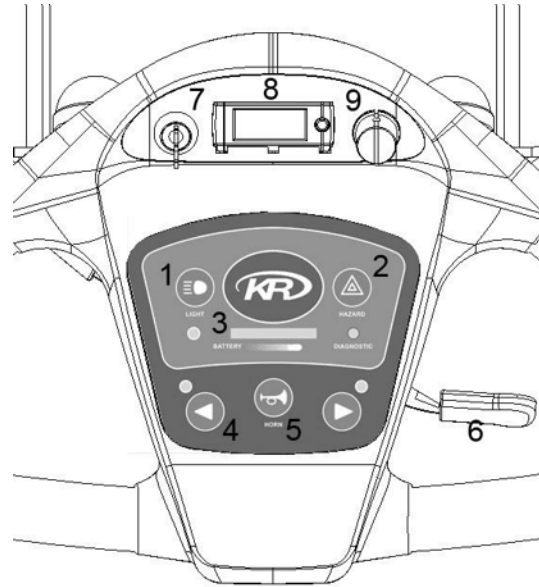


1. Control Panel
2. Rearview Mirror
3. Front Indicator
4. Basket
5. Headlight
6. Front Bumper
7. Seat
8. Swivel seat lever and seat release lever
9. Tiller Adjustment Knob
10. Taillight
11. Rear Indicator
12. Anti-tip Wheels

Operation

CONTROL PANEL

1. Headlight/Rear Light Button
2. Hazard Light Button
3. Battery Indicator
4. Indicator Button
5. Horn Button
6. Throttle Lever
7. Key Switch
8. Clock
9. Speed Dial



POWER SWITCH

Turn the key switch to power ON or OFF

FORWARD AND REVERSE

1. Push the throttle lever forward with your right thumb and the scooter will move forward.
2. Push the throttle lever forward with your left thumb and the scooter will move backward.
3. The horn will beep when the scooter is in reverse.

DRIVING SPEED

The driving speed of the scooter is set via the speed control knob located on the control panel. When the knob is turned to a position, the scooter will drive only at the speed indicated by the knob. The scooter will travel faster the farther the knob is turned clockwise. To reduce the scooter's travel speed, turn the knob back counter-clockwise.

BRAKING & STOPPING

To activate the electromagnetic brake, release the throttle lever completely. The brake will be activated and the scooter will come to a stop. When parking, park only on a flat surface and turn the key switch to [OFF]. Then pull out the key (only after stopping).



Caution

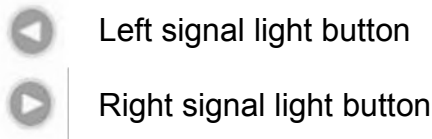
Stopping distance will vary with your forward/reverse speed. Please begin braking as early as possible. When parking your scooter, be sure to park on a flat ground and then turn the power to "OFF".

HEADLIGHT/TAILLIGHT BUTTON

The headlight button is an independent switch. So, if you drive your scooter with the headlight on, remember to turn off the headlight at the same time you turn off the power switch to save the battery power.

TURN SIGNAL BUTTONS

The light will flash and the buzzer will make a beeping sound when you press the left or right signal lamp button.



Pressing the button again will turn the signal light off.

BATTERY GAUGE

When the key is switched “ON”, the battery gauge will display the battery power capacity by indicating red, yellow and green areas respectively.



The green area indicates a full charge from the battery.
Red area indicates low power.

The remaining power indicated by the battery gauge will vary based on the actual driving time and how you drive. Repeated starting, stopping or climbing will consume the power more quickly.

Suggestion

1. It is recommended that you charge the battery immediately when the battery gauge is in the red area.
2. After charging or replacing a new battery, drive the scooter for 2-3 minutes to make sure the battery capacity is enough.
3. In the wintertime, the battery may respond more slowly and the distance you can travel may also be shortened.
4. When driving on an incline, the battery gauge light might move from green to red, this is a normal phenomenon, please do not worry.
5. Even if the battery is used properly, it is natural that the battery capability will decay as time passes. This results in a shortening of travel distance compared to a brand new battery. Therefore, when you find the travel distance is about only 50% of a brand new battery's travelling distance, it is time for a replacement battery. Please go to your dealer and ask a new battery. If you continue to use the old battery when its capacity has decreased, it could lead to a decrease in travel distance.
6. Travel distances will be shortened when driving frequently on an incline or slope, as this leads to a larger consumption of the power.

SLEEP MODE

The scooter has a sleep mode function to save the power. This will turn off the controller power automatically when the speed control lever has not moved after 10 minutes. The sleep function will turn off the controller power, so the battery gauge will be bright until you turn off the power switch.

When the scooter is in sleep mode, you must turn the power to “off” and then back to “on” to Operate.



Clock

Note: If the battery is turned off, the time will need to be reset when turning on scooter again.

1. When the scooter is turned on, the time is set as 12:00 (max hour is 12)
2. Press the right button for 2 seconds and then you can adjust the hour. The time will add one hour with each press.

Note: If button is not pressed again in 10 seconds, the menu will reset.

3. After the hour is correct, press the button again for 2 seconds to adjust the minutes. The time will add one minute for each press.

Note: If button is not pressed again in 10 seconds, the menu will reset.

Finally, press the button again for 2 seconds and the menu will reset and show the time you have just set.

SEAT

The seat has 4 height adjustments. After adjusting the height to the desired seat position. Secure the fixed nut.

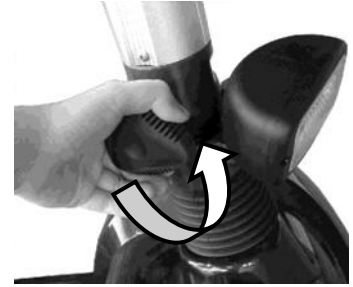


Caution

Be sure the seat is in the forward position and locked before driving.

TILLER ADJUSTMENT

1. To adjust the tiller angle, turn the knob counter-clockwise to unscrew the bolt.
2. Adjust the tiller angle to the desired position; turn the knob clockwise to tighten the bolt.



DRIVE MODE

Push the freewheel mode lever on the scooter down and the scooter will be driven by the motor.

FREEWHEEL MODE

Push the freewheel mode lever on the scooter up and the scooter can be pushed by hand.



Drive Mode



Freewheel Mode

DRIVING YOUR SCOOTER

1. Turn the key switch to "ON".
2. Check battery gauge to see whether there is enough power for your trips. If you have doubts about the remaining power, please charge the battery before departure.
3. Set to the proper speed by the speed dial.
4. Be sure the throttle lever is functioning properly.
5. Make sure the electromagnetic brake is working properly.
6. Make sure it is safe before driving on the street.

⚠ Caution

1. Do not push the right hand & left hand throttle levers simultaneously; this might lead to losing control of your scooter.
2. Do not set to the highest speed while driving indoors.
3. Do not adjust the speed dial while driving, the sudden change in speed may endanger you and cause your scooter to malfunction.
4. Do not place magnetic devices near the area of the operation handle; this could affect the safe operation of your scooter.
5. While reversing the scooter, be aware of people or objects behind you.

Batteries & Charger

CHARGING THE BATTERIES

Be sure to follow the procedures below accordingly.

1. Turn the scooter key switch to “OFF”.
2. Open the charging socket cap on the scooter’s cover then connect the charger’s plug to the charging socket.
3. Plug the power cable into your power outlet.
4. The charger’s LED light will be orange at the beginning of a charge. The charging duration is at least 6-8 hours (but this will vary), based on the status of the battery and temperature.
5. The orange LED will turn to green when the charging is complete.
6. Disconnect the cord and remove the round plug from the charge socket.



Suggestion

1. Do not disconnect the charger cord if charging is not complete. The battery life will be shortened if the battery is repeatedly used without being fully charged. Therefore, be sure to charge the battery fully every time.
2. Your scooter should be charged at least every month to keep the battery at full status, even when not being used.
3. Charging time will be affected by the ambient temperature so it takes longer in the wintertime.

Caution

Please follow the rules below to avoid accidents while charging.

1. Please use the One Rehab scooter’s charger only and charge the battery completely every time. The battery might be damaged if you use a charger that is not compatible.
2. Never disassemble or modify the charger.
3. Do not charge in a space that is directly exposed to the sunlight. Do not charge in a space where it is humid or subject to rainfall or dew.
4. Do not cover the scooter with any waterproof cloth or other objects while charging.
5. Do not charge in temperatures lower than 14°F or higher than 122°F, the charger may not work properly and the battery may be damaged

 **Warning!**

1. Keep away from flammable objects while charging, as it may lead to fire or explosion of the batteries.
2. Always charge your battery in a well-ventilated space.
3. Never connect or disconnect the plug or cord with wet hands while charging. Do not connect or disconnect the plug or cord when they are wet, this may lead to an electric shock.
4. Never attempt to open the battery.

DAILY CHECKING

Check the following items before driving. If you find anything abnormal, go to or call your scooter dealer for further inspection before using it.

Item	What to Look For
Handle Bar	Is it tight? Can it be turned left or right smoothly?
Speed Dial	Can it be adjusted freely and function well?
Throttle Lever	Does the scooter move when the lever is engaged? Does the scooter stop when the
Motor	Is there any abnormal noise from the motor? Does the
Freewheel Mode Lever	Does the free wheel mode lever work properly?
Battery Gauge	Does the light come on when switched "ON"? Is the remaining
Horn Button	Does the horn work?
Indicators	Do the indicators work?
Seat	Is the seat on properly? Can the seat be turned smoothly?
Tyres	Are there any cracks or other damage to the tires? Check the tread on the

 **Caution**

Go to your dealer for inspection and maintenance if you find anything wrong.

REGULAR MAINTENANCE RECORD

To make sure your scooter is in good condition, go to your dealer regularly for maintenance and record it accordingly every six months after purchasing (fee required).

 **Suggestion**

Even if you don't use the scooter for a long time, the scooter should still be maintained, and batteries charged regularly.

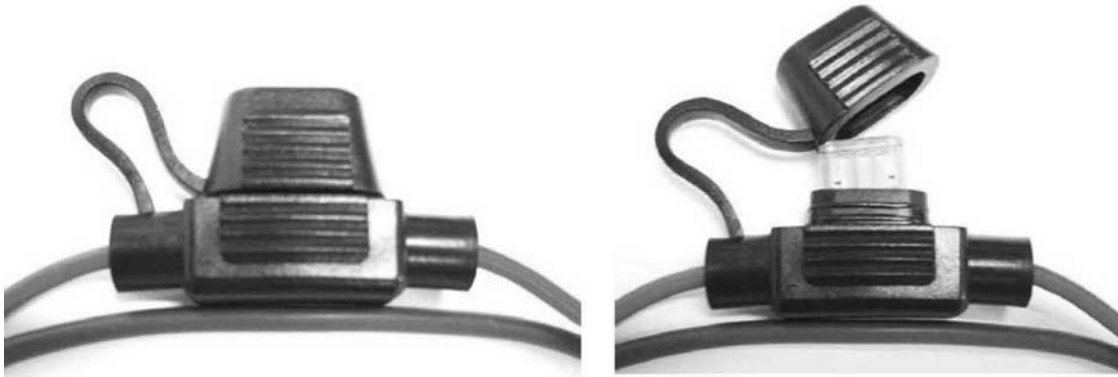
BATTERIES, FUSES, CIRCUIT BREAKER AND TYRES

Batteries

Refer to “BATTERIES & CHARGER” Section.

Fuse

There are two fuses on your scooter. One is located inside the control panel. The other is near the main wire of the controller. If the power is switch ON and the battery indicator does not light up, check the fuse (as indicated below).



Suggestion

Ask for help from your dealer for inspecting or replacing the fuses, (since battery pack has to be disassembled first for replacement of fuses).

Circuit Breaker

There is one button for the circuit breaker, located near the rear shroud. If the power switch is “ON” and the battery indicator does not light up, it is possible that an electric current has overloaded. Please try to reset the circuit breaker by pressing this button.

Tyres

The condition of the tyres depends on how you drive and use your scooter. Please check the tread depth regularly. Replace the tires when the tread depth is less than 0.5 mm. Regularly inspect your scooter’s tires for signs of wear.

Maintenance

- Do not splash water directly onto your scooter, as this could lead to a malfunction of the electric system.
- Do not use gasoline, solvents or vaporizing solution, as the shroud may be deformed or damaged.
- Do not use wax.

This table is only a guide to aid you in getting your scooter operating, should you have any problems. If you are unable to get your scooter operating, please contact your Authorized Service Centre.

Table 1: Basic Troubleshooting

Symptom	Possible Cause	Solution
Scooter does not move	1. Key switch is not "ON"	1. Turn key switch to "ON".
	2. Main circuit breaker tripped	2. Reset circuit breaker in trunk area.
	3. Brake release lever in 'Freewheel Mode'	3. Place lever to 'Drive Mode'.
	4. Charger connected to outlet	4. Disconnect charger.
	5. Battery power low	5. Recharge battery.
	6. Scooter shuts down to conserve battery	6. Cycle key switch "OFF", then "ON".
	7. Controller error	7. Check diagnostic light for Flash Code (See Table 2 to get solution).
Scooter feels wobbly when driven	1. Seat is loose	1. Check seat for loose hardware or damage. Ensure seat in locked position.
	2. Bearing in tiller worn	2. Replace bearings.
Range less than expected	1. Charging too infrequently	1. Charge scooter more often.
	2. Defective or worn out battery	2. Load test batteries. If necessary, replace.
	3. Cold weather reduces battery life	3. Allow batteries to reach room temperature and then fully recharge.
	4. Defective charger	4. Contact your Authorized Service Centre.
Erratic behaviour when engager is operated	1. Faulty engager	1. Contact your Authorized Service Centre.

Brake squeals	1. Dirt in brake pad	1. Blow dirt out with air pressure hose.
Brake release lever sticks	1. Rust and corrosion	1. Spray ball detent area with lubrication oil.
Stiffness in steering	1. Possible grime build-up	1. Lubricate rod end joints.

The diagnostic flash codes for your scooter are designed to help you perform basic troubleshooting quickly and easily. A diagnostic flash code flashes from the diagnostic light in the event one of the conditions listed below develops.

Table 2: Scooter Controller Internal Diagnostics

Flash code	Possible Cause	Solution
1	The battery needs charging.	The battery voltage has dropped below 23.3 volts in neutral. Recharge batteries.
2	Battery voltage is too low.	The battery has dropped past 16.5 volts and is not sufficient to allow safe driving. Check the battery condition and the connections.
3	Battery voltage too high	The battery has exceeded 32 volts. Check the battery condition and the connections.
4	Current limit time out	The motor current has reached too high a value. Check the condition of the motor and loom. Contact your Service Agent.
5	Park brake fault	Check park brake conditions.
6	Speed control out of neutral	Return speed pod to neutral and rest system. Readjust the speed lever to neutral if necessary. Contact your Service Agent.
7	Speed control fault	Check speed pod wiring for open or short circuits. Check speed pot set-up. Contact your Service Agent.
8	Motor fault	Contact your Service Agent.
9	Internal (controller) fault	Contact your Service Agent.

Specifications

Model	KR6000 Deluxe
Max. Weight Capacity	300 lbs.
Maximum Speed	6 mph
Estimated Range	22 miles
Maximum Grade/Incline	12°
Turning Radius	54"
Ground Clearance	3"
Overall Dimensions	
Length	47"
Width	22"
Height	38"
Seat Dimensions	
Width	18"
Depth	18"
Back	29"
Armrest to Seat	7"
Power	
Motor	24V x 350W x 4200 rpm
Controller	Dynamic R90A
Batteries	Two DC12V x 36AH
Battery Charger	5 Amp, Off board
Brakes	Electromagnetic
Freewheel Mode	Yes
All Tires (Pneumatic)	10" x 3"
Suspension	Rear
Weights	
Total Weight w/Battery	174 lbs.
Total Weight w/o Battery	125 lbs.

REMARK: One Rehab reserves the right to modify the specifications if necessary. The final specifications are subject to the individual scooter your purchase from your dealer.

User's weight, road conditions, battery charge, etc. will influence performance.

For service assistance, please call your authorized One Rehab dealer.

Limited Warranty

This warranty is extended only to the original purchaser/user of our products. This warranty gives you specific legal rights and you may also have other legal rights which vary from state to state.

One Rehab warrants this product to be free from defects in materials and workmanship, for the following periods:

12 Months		6 Months
③ Main frame	③ Electronic controllers	③ Batteries
③ Fork	③ Transaxle	
③ Seat post	③ Motor & Brake (electronic function only)	
③ Tiller frame	③ Charger	

If within such warranty periods any such part shall be proven to be defective, such part shall be replaced. This warranty does not include any labour or shipping charges incurred in the installation of any such replacement part. One Rehab's sole obligation, and your exclusive remedy under this warranty, shall be limited to such replacement.

For warranty service, please contact the dealer from whom you purchased your One Rehab product. In the event you do not receive satisfactory warranty service, please write directly to One Rehab at this address:

Provide dealer's name, address, and date of purchase, indicate nature of the defect and, if the product is serial numbered, indicate the serial number. Do not return products to One Rehab without our prior consent.

LIMITATIONS AND EXCLUSIONS: THE FOREGOING WARRANTY SHALL NOT APPLY TO SERIAL NUMBERED PRODUCTS IF THE SERIAL NUMBER HAS BEEN REMOVED OR DEFACED, IF THE PRODUCTS HAVE BEEN SUBJECT TO ACCIDENT, MISUSE, ABUSE, NEGLIGENCE, MISHANDLING, MISAPPLICATION, COMMERCIAL USE, ACTS OF GOD, ALTERATIONS OR MODIFICATIONS NOT AUTHORIZED BY ONE REHAB, INCLUDING BUT NOT LIMITED TO, MODIFICATION THROUGH THE USE OF UNAUTHORIZED PARTS OR ATTACHMENTS; PRODUCTS DAMAGED BY REASON OF REPAIRS MADE TO ANY COMPONENT WITHOUT THE SPECIFIC CONSENT OF ONE REHAB, OR TO A PRODUCT DAMAGED BY CIRCUMSTANCES BEYOND ONE REHAB'S CONTROL, SUCH EVALUATION WILL BE SOLELY DETERMINED BY ONE REHAB. THE WARRANTY SHALL NOT APPLY TO PROBLEMS ARISING FROM NORMAL WEAR OR FAILURE TO ADHERE TO THESE INSTRUCTIONS. A CHANGE IN OPERATING NOISE, PARTICULARLY RELATIVE TO MOTORS AND GEARBOXES DOES NOT CONSTITUTE A FAILURE. ALL SUCH DEVICES WILL EXHIBIT A CHANGE IN OPERATING NOISE DUE TO AGING.

THE FOREGOING EXPRESS WARRANTY IS EXCLUSIVE AND IN LIEU OF ANY OTHER WARRANTIES WHATSOEVER, WHETHER EXPRESS OR IMPLIED, INCLUDING THE IMPLIED WARRANTIES OF MERCHANTABILITY AND FITNESS FOR A PARTICULAR PURPOSE, AND THE SOLE REMEDY FOR VIOLATIONS OF ANY WARRANTY WHATSOEVER, SHALL BE LIMITED TO REPLACEMENT OF THE DEFECTIVE PRODUCT PURSUANT TO THE TERMS CONTAINED HEREIN, THE APPLICATION OF ANY IMPLIED WARRANTY WHATSOEVER SHALL NOT EXTEND BEYOND THE DURATION OF THE EXPRESS WARRANTY PROVIDED HEREIN. ONE REHAB SHALL NOT BE LIABLE FOR ANY CONSEQUENTIAL OR INCIDENTAL DAMAGES WHATSOEVER.

THIS WARRANTY SHALL BE EXTENDED TO COMPLY WITH STATE/PROVINCIAL LAWS AND REQUIREMENTS.

KR6000 Deluxe Owner's Manual

Product Registration



**Thank you for purchasing a
One Rehab mobility product!**

Your One Rehab product will provide you years of dependable service and mobility ease. To validate your product's warranty, you must complete this form and return it to One Rehab immediately.

Please print or type.

Your Name

Your Address

City/County

Postcode

Phone Number

E-mail Address

Product Information

Model

Date Purchased

Month

Day

Year

Serial Number

Dealer Purchased From

Dealer Address

City/County

Postcode

Phone Number

