

---

# Operating Instructions

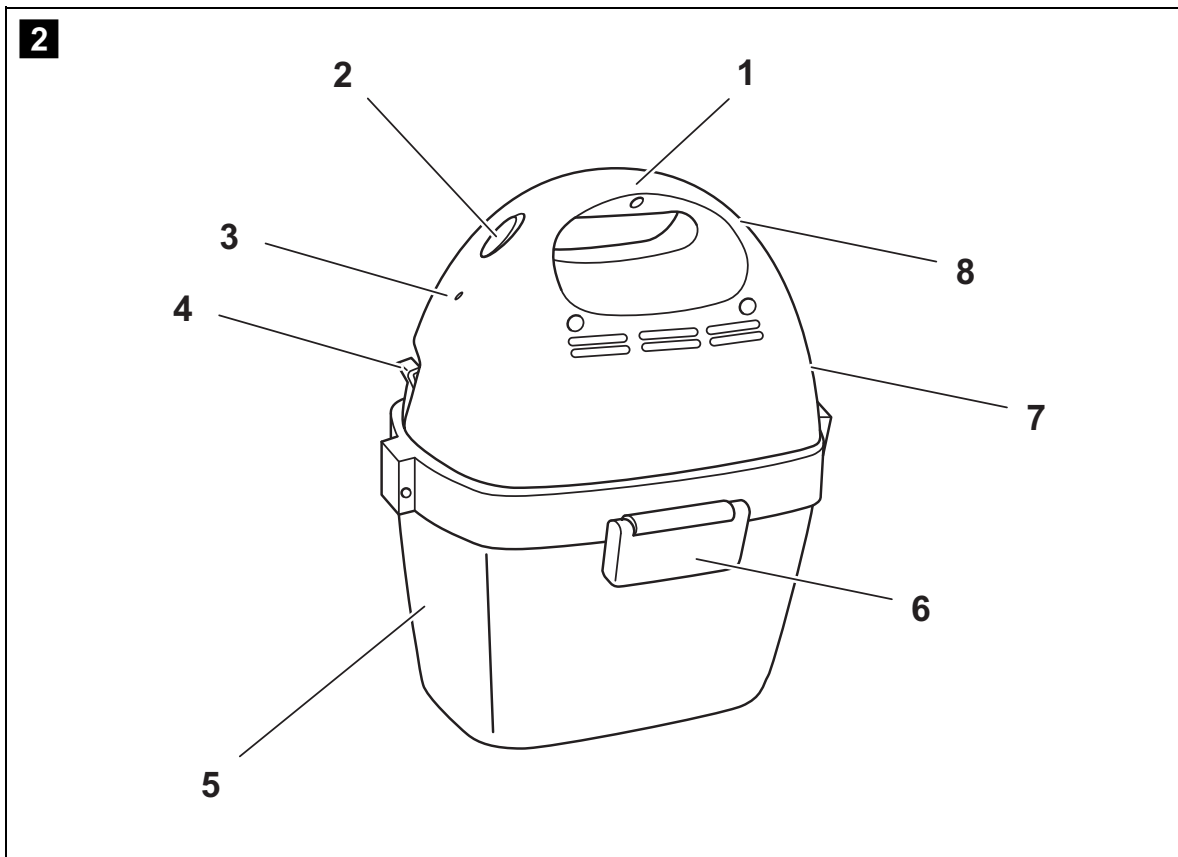
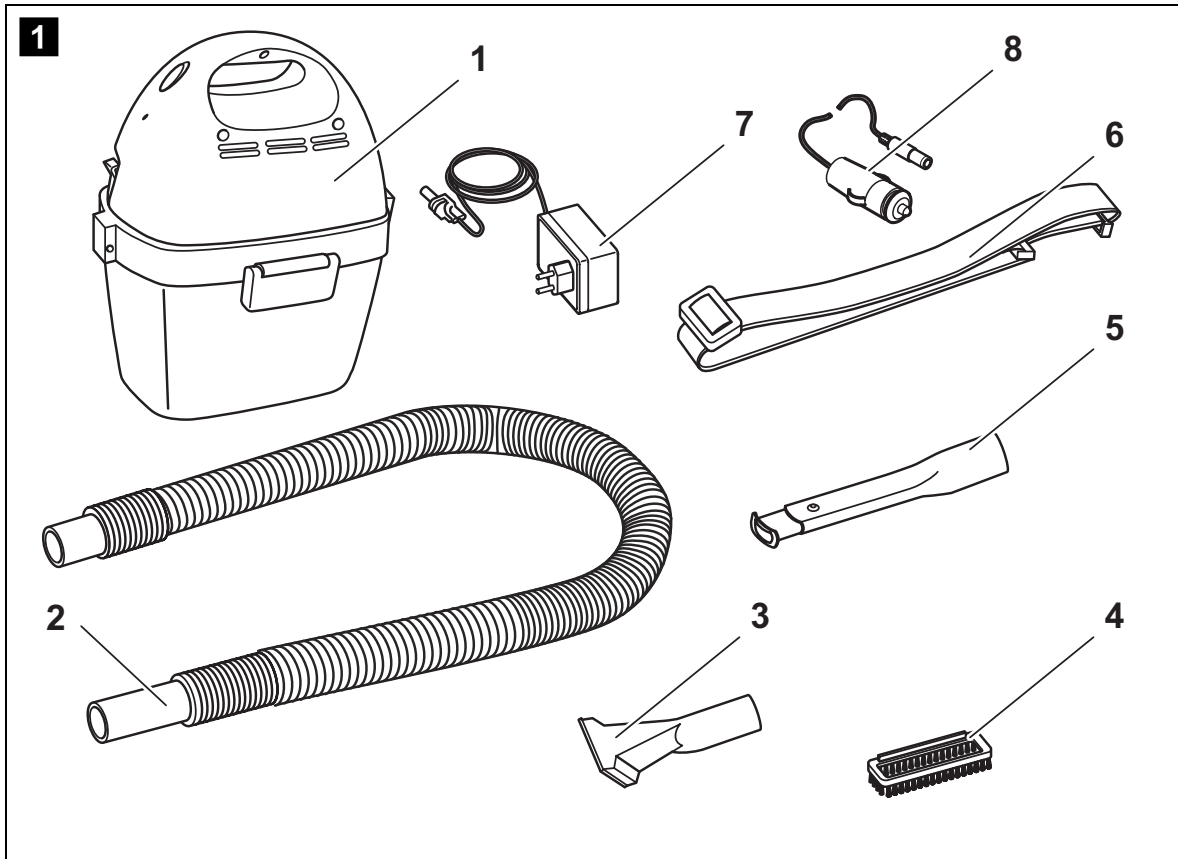
## **PowerVac PV-100**

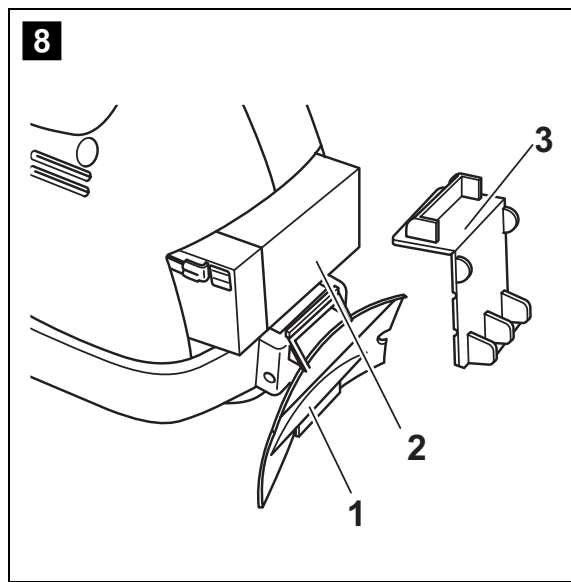
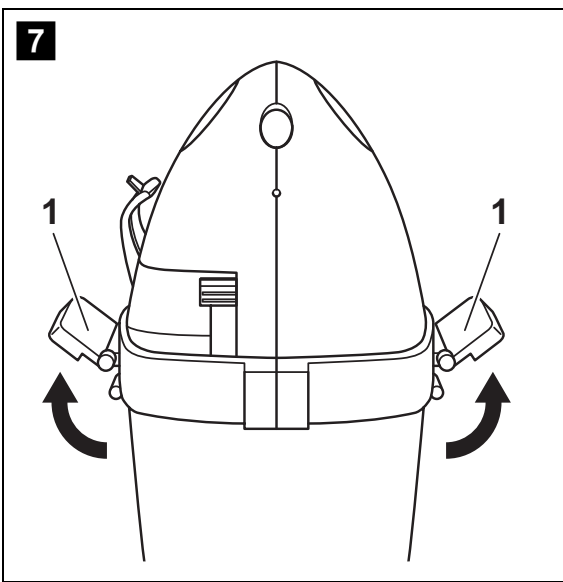
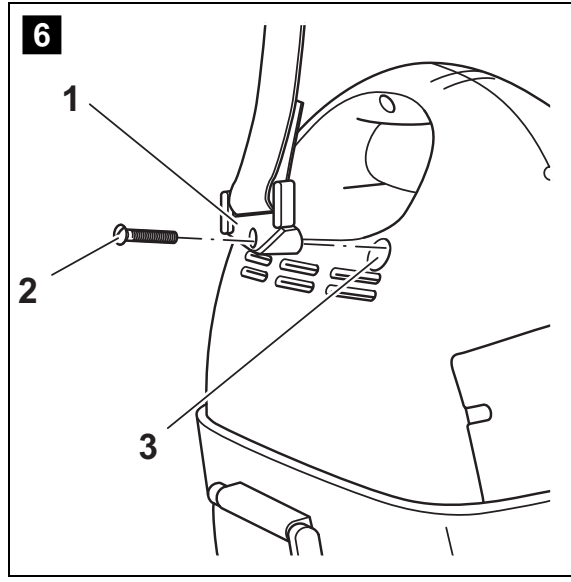
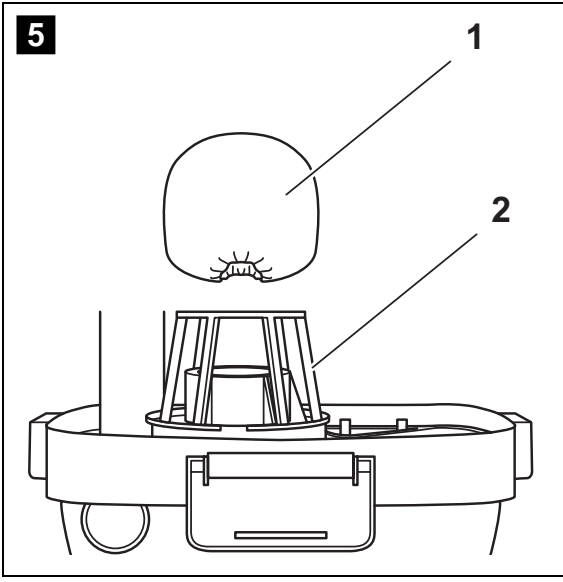
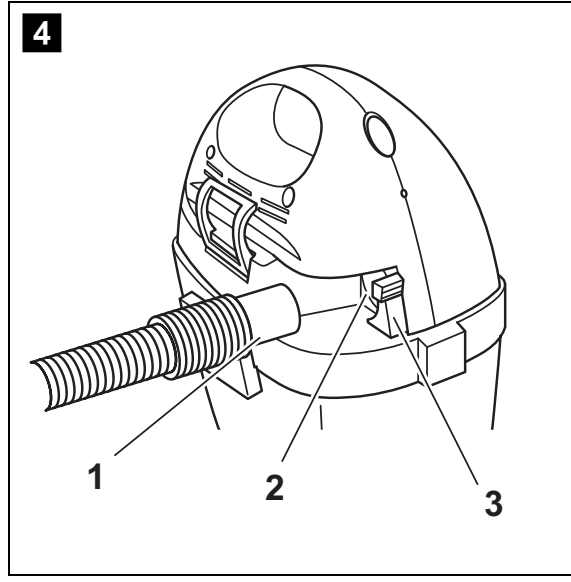
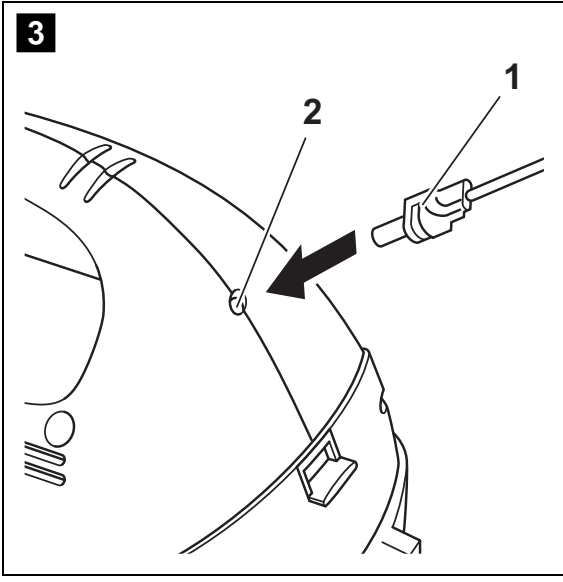


**AUS** Battery operated vacuum cleaner

**CE**

**WAECO**  
mobile solutions





**Please read instructions carefully before using appliance. Keep instructions safely. In the case of resale, the new owner should be given the instructions.**

## Index

1	Advice on using the instructions .....	20
2	Safety warnings .....	20
3	Equipment supplied .....	22
4	Usage .....	22
5	Technical description .....	23
6	Before using for the first time .....	24
7	Using vacuum cleaner .....	25
8	Storing vacuum cleaner .....	28
9	Changing the battery .....	28
10	Care and cleaning of vacuum cleaner .....	29
11	Guarantee .....	30
12	Disposal .....	30
13	Technical information .....	31

# 1 Advice on using the instructions

**Warning!**

**Safety warning:** Failure to follow the instructions may result in material damage or affect the working of the appliance.

**Warning!**

**Safety warning** warning of dangers of electrical currents and voltage: Failure to follow the instructions may result in personal or material damage or affect the working of the appliance.

**Warning**

Supplementary information on the use of the appliance.

➤ **Action:** This symbol indicates the need for action. The required actions are described step by step.

✓ This symbol describes the result of an action.

**1 5, page 3:** This sign indicates an element in the diagram; In this example it refers to the "Position 5 of diagram 1 on page 3".

**Please heed the following safety warnings.**

## 2 Safety warnings

**Warning!**

WAECO International does not accept responsibility for damage as a result of the following:

- Damage to the appliance due to mechanical problems and electrical surges.
- Modifications to the appliance without authorisation from WAECO International.
- Use of the appliance for other purposes to those described in the instructions.

## 2.1 General safety

- Before use check that mains voltage coincides with appliance voltage (see technical specifications plate).
- Only use the power source supplied.
- **Do not** use the appliance in the case of visible signs of damage.
- Never expose the power supply or the 12 V charge cable to moisture.
- Do **not** charge the device if the charge cable, the power supply or the charge socket on the device show signs of damage.
- Repairs to the appliance should only be carried out by authorised technicians. Unauthorised repair may cause considerable danger. Refer to technical service department WAECO in case of repair.
- Do not use any accessory that has not been recommended by WAECO. This may cause material damage or harm.

## 2.2 Safety when using the appliance

- The appliance should never be used on premises where inflammable substances are kept or where inflammable gases are present. Engine sparks could ignite the gases.
- Do not vacuum
  - caustic liquids or liquids containing dissolvents
  - hot, burning, hard or sharp objects
  - toxic material.

These may damage the appliance or the filter.

- Do not immerse appliance in water.
- Only use the appliance indoors, never outdoors.
- Ensure that openings do not become obstructed. If necessary, clean openings before using the vacuum cleaner.
- Do not use the appliance without the filter in place.
- When in use, keep nozzles away from eyes, ears and face. Ensure that hair, loose clothing, and fingers do not enter openings and are not in contact with rotating parts.
- Keep children and animals at a safe distance when appliance is in use.

- When vacuuming liquids, ensure that the liquid in the canister does not go beyond the "MAX FILL LINE".
- Do not place the appliance upside down after vacuuming liquids.
- Do not touch the power source with wet hands.
- Do not allow the battery to run down completely. The engine runs more slowly when the battery is flat.  
Recharge battery as soon as possible each time after use.
- When using the appliance on stairs, take special care to ensure safe positioning.

### 3 Equipment supplied

N° in <b>1</b> , page 3	Quantity	Name
1	1	Vacuum cleaner
2	1	Vacuum hose
3	1	Carpet nozzle
4	1	Detachable brush
5	1	Telescopic crevice attachment
6	1	Carrying strap
7	1	Power source
8	1	Charge cable for charging from the 12 V DC power supply

### 4 Usage

The PowerVac PV-100 is a battery powered vacuum cleaner for light cleaning of wet or dry spills. The appliance is not designed for industrial use. It should not be used outdoors.

## 5 Technical description

### 5.1 Operating description

The PowerVac PV-100 can be used as a dry and wet vacuum cleaner. The battery permits operation if no electrical socket is available.

It takes about 8 to 10 hours to recharge the vacuum cleaner. The integrated charging electronics automatically completes the charging process. The vacuuming capacity is approximately 90 W and thus well suited for even stubborn dirt. The battery can be charged from 240 V AC mains as well as from your vehicle's on-board 12 V supply.

The vacuum cleaner comes with a dirt canister with a capacity of 3.8 l and a reusable cloth bag. Both may be easily removed, emptied and cleaned.

### 5.2 Parts

N° in <b>2</b> , page 3	Name
1	Handle
2	On/off switch
3	Charge gauge
4	Locking key
5	Dirt canister
6	Clip
7	Battery compartment
8	Charge socket

### 5.3 Gauges

The charge gauge (**2** 3, page 3) indicates that battery is charging.

## 6 Before using for the first time

Before using vacuum cleaner, prepare as follows:

### Charge battery (see **3**, page 4)

**Warning:**

The vacuum cleaner is supplied with battery undercharged. Before vacuum cleaner can be used, the battery must be charged.

- Charge battery (see chapter “Charging the battery” on page 25).

**Warning!**

Do not allow the battery to run down completely. The engine runs more slowly when the battery is flat.

Recharge battery as soon as possible each time after use.

### Fitting vacuum hose (see **4**, page 4)

- Fit vacuum hose using connecting piece (**4** 1, page 4) to the connection on casing (**4** 2, page 4).  
The hose should snap into place.
- Fit carpet nozzle or crevice tool to other end of hose.  
Twist nozzle slightly so that it fits on hose tightly.

### Checking filter (see **5**, page 4)



Never use vacuum cleaner if filter is not fitted.

Only use WAECOfilter supplied.

- Check that filter (**5** 1, page 4) is inside bracket (**5** 2, page 4).

### Fit carrying strap (see **6**, page 4)

- Fit carrying strap (**1** 6, page 3) placing both ends (**6** 1, page 4) through holes (**6** 3, page 4) provided on both sides of casing.
- Bolt strap into position using bolts provided (**6** 3, page 4).

## 7 Using vacuum cleaner

### 7.1 Charging the battery



Charge the battery only with the included mains adapter or the 12 V charge cable. Should you need spare parts, you can order them exclusively from WAECO.

The battery is fully charged after 10 to 14 hours (when charged from the mains adapter). You do not have to monitor the charging process; the integrated charge electronics will terminate the procedure automatically.



**Note:**

Please note that when charging from your vehicle's on-board 12 V supply, the battery is only partially charged. The charge level of the battery depends on the available battery voltage (see chapter "Technical information" on page 31).

Please note the following:

- Charge the battery only at an ambient temperature of 0 °C to +40 °C so that the battery can be fully charged.
- The power supply heats up during the charging process.
- Do not switch on the device during the charging process.

Proceed as follows to charge the battery from the 240 V AC mains (see **3**, page 4):

- Insert the plug of the power supply (**3** 1, page 4) in the charge socket of the vacuum cleaner (**3** 2, page 4).
- Plug the power supply into a 240 V mains outlet.
- ✓ The charge display (**2** 3, page 3) **lights up**, and battery charging begins.
- ✓ Once the charge display (**2** 3, page 3) **is no longer lit**, the battery is fully charged.

Proceed as follows to charge the battery from the 12 V DC power source (see **3**, page 4):

**Caution!**

Never attempt to charge the battery while driving or while the engine is running. **There is a risk of injury!**

- ▶ Insert the plug of the 12 V charge cable (**3** 1, page 4) in the charge socket of the vacuum cleaners (**3** 2, page 4).
- ▶ Plug the 12 V charge cable into a 12 V socket.
- ✓ The charge display (**2** 3, page 3) **lights up**, and the battery is then charged.
- ✓ The battery will be charged according to the available battery voltage (see chapter “Technical information” on page 31).

## 7.2 Vacuuming dry spills

Proceed as follows for dry dust or dirt:

- ▶ Switch on appliance using on/off switch.

**Tips:**

- To vacuum dust, vacuum in any direction using carpet nozzle (**1** 3, page 3).
- To vacuum more resistant dirt, use carpet nozzle (**1** 3, page 3) in forwards and backwards movement.
- To vacuum rugs or furniture use carpet nozzle (**1** 3, page 3) with detachable brush fitted (**1** 4, page 3).
- To vacuum areas which are not easily accessible, for example, cracks, corners or between furniture, use crevice tool (**1** 5, page 3).



Keep filter clean, the power of the vacuum cleaner greatly depends on condition of filter (see chapter “Clean filter” on page 29).

### 7.3 Vacuuming wet spills

**Warning:**

Empty dirt canister before vacuuming liquids or wet spills.

Continue as follows to vacuum liquids or wet spills:

- Switch on appliance using on/off switch.
- Vacuum using carpet nozzle in any direction.



When vacuuming liquids, ensure liquid in canister does not go beyond "MAX FILL LINE".

Overflowing liquid may damage the vacuum cleaner.

- Clean the dirt canister and nozzles after use, especially when vacuuming small or sticky kitchen spills (see chapter "Cleaning the appliance and accessories" on page 29).

### 7.4 Emptying dirt canister

Proceed as follows to empty dirt canister (see **7**, page 4):

- Detach clips on each side of casing (**7** 1, page 4).
  - Remove dirt canister from casing.
  - Empty contents into suitable rubbish bin.
  - Fix casing back onto dirt canister.
  - Fix dirt canister in position by locking clips on (**7** 1, page 4). Clips should snap into place.
- ✓ The vacuum cleaner may be reused.

### 7.5 Removing vacuum hose

Proceed as follows to remove vacuum hose:

- Press locking key (**4** 3, page 4) and remove vacuum hose.

## 8 Storing vacuum cleaner



Only store vacuum cleaner in dry place.

Proceed as follows if vacuum cleaner is not to be used for a long period:

- Empty and clean dirt canister and filter.
- Wind vacuum hose around casing.
- Store accessories below dirt canister and secure with straps.

## 9 Changing the battery

New batteries can be purchased from a specialist dealer. Ensure that the new battery has exactly the same specifications (12 V DC, 2.6 Ah) and dimensions as the original one.



### Warning!

Before changing battery it may be necessary to disconnect power source (**1** 7, page 3) from charge socket (**2** 8, page 3).



Batteries should not be disposed of in domestic rubbish.

Dispose of batteries in environmentally friendly manner. Batteries may be deposited at public refuse collection points or at the vacuum cleaner point of sale.

Proceed as follows to change battery (see **8**, page 4):

- Open battery compartment (**8** 1, page 4).
- Remove battery mounting (**8** 3, page 4) and remove battery (**8** 2, page 4) slowly.
- Carefully separate red cable (positive) and black cable (negative) from battery connections.



### Warning!

Ensure correct polarity.

- Connect red cable to positive pole on new battery.
- Connect black cable to negative pole on new battery.
- Place new battery (**8** 2, page 4) in battery compartment (**8** 1, page 4) of vacuum.
- Lock battery in position with mounting (**8** 2, page 4).
- Close battery compartment (**1** 12, page 3)
- Charge new battery (see chapter “Charging the battery” on page 25).

## 10 Care and cleaning of vacuum cleaner

### 10.1 Cleaning the appliance and accessories



#### Warning!

The use of abrasive substances for cleaning may damage the appliance.

- Clean casing regularly with soft damp cloth.
- Wash dirt canister and nozzles regularly with warm water and soap.

### 10.2 Clean filter

If filter is dirty, it may be cleaned and reused. If filter is extremely dirty, it may be washed in water.



#### Warning!

Do not wash filter in washing machine or with hard objects, as this may cause damage.

Proceed as follows to clean filter (see **5**, page 4):

- Detach clips on either side of casing (**7** 1, page 4).
- Lift casing away from dirt canister and twist.
- Remove filter (**5** 1, page 4) from bracket (**5** 2, page 4).
- Shake out dust and loose dirt.
- Clean filter under tap if necessary.



Allow the filter to dry before you replace it in the bracket.

- ▶ Replace filter (**5** 1, page 4) in bracket (**5** 2, page 4).
- ▶ Fix casing back onto dirt canister.
- ▶ Fix dirt canister in position by locking clips on (**7** 1, page 4).  
Clips should snap into position.

## 11 Guarantee

Our standard conditions of guarantee are in force. In the case of a defective product, return to the WAECO representative in your country (addresses on back of instructions) or to nearest dealer. The following documents are required for repair or guarantee:

- A copy of the invoice showing date of purchase,
- reason for return of good or description of fault.

## 12 Disposal

- ▶ Place the packaging material in the appropriate recycling waste bins wherever possible.



If you wish to finally dispose of the device, ask your local recycling centre or specialist dealer for details about how to do this in accordance with the applicable disposal regulations.



### 12.1 Disposal of batteries



**Protect the environment!**

Do not dispose of batteries in domestic rubbish.

Hand in faulty batteries to your local dealer or to a recycling point.

## 13 Technical information

Material:	Handle: ABS Filter: Polyester Dirt canister: PP
Engine:	12 V DC, 28000 rpm
Battery:	12 V DC, 2.6 Ah
Charge time:	10–14 h (automatic disconnection)
Capacity:	3.8 l
Power:	90 W
Operating temperature:	0 °C – 40 °C
Dimensions (height x width x depth):	320 x 270 x 198 mm
Weight:	2150 g

Maximum charge of the battery when charging from the on-board 12 V supply:

<b>Battery voltage</b>	<b>Charge</b>
12.0 V	30 %
12.3 V	35 %
12.5 V	40 %
12.8 V	50 %
13.0 V	60 %
13.5 V	80 %
14.0 V	90 %
14.4 V	95 %

The right to other versions, favourable modifications in line with technical progress and available supply is reserved.

### Certification



# WAECO

## mobile solutions

### Headquarters

**D** **WAECO International GmbH** · Hollefeldstraße 63 · D-48282 Emsdetten  
Fon: +49 2572 879-195 · Fax: +49 2572 879-322 · E-Mail: [info@waeco.de](mailto:info@waeco.de) · Internet: [www.waeco.de](http://www.waeco.de)

### Europe

**CH** **WAECO Schweiz AG**  
Riedackerstrasse 7a  
CH-8153 Rümlang (Zürich)  
Fon: +41 44 8187171  
Fax: +41 44 8187191  
E-Mail: [info@waeco.ch](mailto:info@waeco.ch)

**DK** **WAECO Danmark A/S**  
Tværvej 2  
DK-6640 Lunderskov  
Fon: +45 75585966  
Fax: +45 75586307  
E-Mail: [waeco@waeco.dk](mailto:waeco@waeco.dk)

**E** **WAECO Ibérica S.A.**  
Camí del Mig, 106  
Poligono Industrial Les Corts  
E-08349 Cabrera de Mar  
(Barcelona)  
Fon: +34 93 7502277  
Fax: +34 93 7500552  
E-Mail: [info@waeco.es](mailto:info@waeco.es)

**F** **WAECO Distribution SARL**  
ZAC 2 · Les Portes de L'Oise  
Rue Isaac Newton – BP 59  
F-60230 Chambly (France)  
Fon: +33 1 30282020  
Fax: +33 1 30282010  
E-Mail: [info@waeco.fr](mailto:info@waeco.fr)

**FIN** **WAECO Finland OY**  
Mestarintie 4  
FIN-01730 Vantaa  
Fon: +358 20 7413220  
Fax: +358 9 7593700  
E-Mail: [waeco@waeco.fi](mailto:waeco@waeco.fi)

**I** **WAECO Italcold SRL**  
Via dell'Industria 4/0  
I-40012 Calderara di Reno (BO)  
Fon: +39 051 727094  
Fax: +39 051 727687  
E-Mail: [sales@waeco.it](mailto:sales@waeco.it)

**N** **WAECO Norge AS**  
Leif Weldingsvei 16  
N-3208 Sandefjord  
Fon: +47 33428450  
Fax: +47 33428459  
E-Mail: [firmapost@waeco.no](mailto:firmapost@waeco.no)

**NL** **WAECO Benelux B.V.**  
Ecustraart 3  
NL-4879 NP Etten-Leur  
Fon: +31 76 5029000  
Fax: +31 76 5029090  
E-Mail: [verkoop@waeco.nl](mailto:verkoop@waeco.nl)

**S** **WAECO Svenska AB**  
Gustaf Melins gata 7  
S-42131 Västra Frölunda  
(Göteborg)  
Fon: +46 31 7341100  
Fax: +46 31 7341101  
E-Mail: [info@waeco.se](mailto:info@waeco.se)

**UK** **WAECO UK Ltd.**  
Dorset DT2 8LY · Unit G  
Roman Hill Business Park  
UK-Broadmayne  
Fon: +44 1305 854000  
Fax: +44 1305 854288  
E-Mail: [sales@waeco.co.uk](mailto:sales@waeco.co.uk)

### Overseas + Middle East

**AUS** **WAECO Pacific Pty. Ltd.**  
1 John Duncan Court  
Varsity Lakes QLD 4227  
Fon: +61 7 55076000  
Fax: +61 7 55221003  
E-Mail: [sales@waeco.com.au](mailto:sales@waeco.com.au)

**HK** **WAECO Impex Ltd.**  
Headquarters  
Suites 3210-12 · 32/F · Tower 2  
The Gateway · 25 Canton Road  
Tsim Sha Tsui · Kowloon  
Hong Kong  
Fon: +852 2 4632750  
Fax: +8 52 24639067  
E-Mail: [info@waeco.com.hk](mailto:info@waeco.com.hk)

**ROC** **WAECO Impex Ltd.**  
Taipei Office  
2 FL-3 · No. 56 Tunhua South Rd, Sec 2  
Taipei 106, Taiwan  
Fon: +886 2 27014090  
Fax: +886 2 27060119  
E-Mail: [marketing@waeco.com.tw](mailto:marketing@waeco.com.tw)

**UAE** **WAECO Middle East FZCO**  
R/A 8, SD 6  
Jebel Ali, Dubai  
Fon: +971 4 8833858  
Fax: +971 4 8833868  
E-Mail: [waeco@emirates.net.ae](mailto:waeco@emirates.net.ae)

**USA** **WAECO USA, Inc.**  
8 Heritage Park Road  
Clinton, CT 06413  
Fon: +1 860 6644911  
Fax: +1 860 6644912  
E-Mail: [customer@waecousa.com](mailto:customer@waecousa.com)

 [www.waeco.com](http://www.waeco.com)



3.03.20.01284 10/2005