

# SEAFLO®

## KNAPSACK ELECTRIC SPRAYER Instruction Manual-Owner's Manual

### Applicable Models

- SFESR-16A-01 • SFESR-16B-01
- SFESR-20A-01 • SFESR-20B-01



**SEAFLO®**  
**FUJIAN AIDI ELECTRIC CO.,LTD.**

No.7 Industry Road, Liancheng, Longyan, Fujian, China.

Tel: +86 592 5930656

Fax: +86 592 5996177

Web: <http://www.seaflo.com> Email: [sale@seaflo.com](mailto:sale@seaflo.com)

**CAUTION:** Carefully read and follow all safety precautions in Owner's Manual. Improper use can cause serious injury to user and bystanders!

**Allow only people who can fully understand this manual to operate the sprayer.**

## PRECAUTIONS

- Battery must be fully charged before use
- Do not apply strong impact or hard pressure ories
- Use pure water to dilute the drug to avoid clogging the nozzles and other accessories
- Please downwind when spraying

## PRECAUTIONS AFTER USE

- Wash the drug residues body after use
- Clean the pipe and nozzle after use
- In winter, water pump and bucket need to keep dry to prevent cracking
- The battery needs to be promptly charged and safe keeping after use
- Keep and place it in a dark, dry place

### CAUTION

Don't use unsolvable powder with your sprayer. Make sure to fully clean the sprayer and pump if you use unsolvable powder and latex, otherwise it will properly cause the problems such as no suction, no pressure, no flow and so on.

## GUIDE TO MANUAL

This manual not only includes operating instructions for the sprayer, but also some information requires your special attention. Pay attention to the special symbols, which are especially important.

- Where there is a risk of personal injury to the user, a bystander, or property damage.
- Where there is a risk of damage to the sprayer or sprayer components.
- Note on correct procedure for preventing from environmental damage.

## SAFETY PRECAUTIONS

Use of sprayer can be dangerous. You must read, understand and follow the safety precautions for you and others' protection. If you lose the manual, we will provide you with free.

1. Improper or careless use of this sprayer can cause serious injury. Minors should never be allowed to use this sprayer. This sprayer should not be used when children, bystanders or animals are in the area.
2. Never leave the sprayer unattended without turning off the power, disconnecting the power plug, and flushing the sprayer of any harmful chemicals.
3. Use of this product in hazardous conditions may cause hurt by users, others and the natural objects. Please read the instructions carefully.
4. Carefully read instructions on chemicals use. When spraying any chemicals, please wear protected clothing to protect your eyes, noses, hands and your whole body.
5. Don't use this sprayer to store or spray flammable chemicals. Observe all local regulations, ordinances and laws regarding spray caustic.
6. Always place the sprayer on a flat, level, bare ground and make sure to use the strainer when filling the sprayer.

7. Our sprayer is designed for use with most agricultural chemicals, pesticides, cleaning agents and many other solutions. Don't spray caustic or corrosive solutions. Contact us if you are not sure if the chemical is compatible with the sprayer.
8. Don't use wettable powder with this sprayer. Soluble powders may be used if properly mixed. For details, please read this manual on irrigation fluid and the instructions of mixing & dissolving carefully.
9. Never point the sprayer wand at any person or animal, whether the sprayer is on or not.

## CHARGING THE SPRAYER

Battery must be charged fully before first use. Should charge the battery after 3 months unused.

1. Fully charge the battery before or after each use. Be sure the plug and socket are in the right position and turn off the switch.
2. A fully deleted battery needs more charge time. At first, the charge indicator light shows green, after a period of charge, the light will turn into red, it means the battery is being charged. Once the battery is at full capacity, it will turn into green.

If you need to replace the battery in this sprayer, the battery will be subjected to our confirmation. Please handle the discarded battery in the recoverable center.

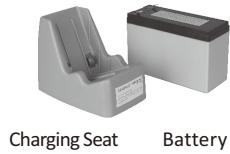
## USE OF THE SPRAYER

1. Put the sprayer on flat ground when filling the tank. Install the outlet strainer and inlet strainer in the right position to protect the pump and nozzles from blocking. Any debris in the pump may cause the sprayer working improperly.
2. Change the nozzles and adjust the flow according to your spraying requirement. You'd better set the flow rate well before use.
3. If the nozzle, orifice diameter is too small, the pump may turn on or off frequently, In this case, you need to adjust the flow, it means to add the nozzles.
4. When finished spraying, turn off the power, add some clean water to the tank. Turn on the sprayer, allow the pump to run until the tank is empty, make sure the pump, hose and strainer are fully cleaned, then store your sprayer in a shade place.
5. Follow the powder manufacturer's instruction, firstly, dissolve and dilute the wettable powder in other vessel. Excessive use of powder may remain a lot of solid residues in the tank, it will affect the working of the sprayer. Please use Liquid chemicals with this sprayer.
6. Do not use non-water soluble powder, because it can not be dissolved into a liquid, and easily suspended in the tank, so the tank could not shake the solid precipitate and clog the filter tank. Please use liquid chemicals. The maximum temperature of the liquid to be sprayed must not exceed 43°C (110°F).
7. A herbicide spraying sprayer can't use to spray pesticides, unless the tank thoroughly flushed and according to the instructions and herbicide producers of neutralizer. If you don't cleaning accordingly may kill injection of crops.
8. Once the tank is full, return the lid to the tank neck and rotate it firmly clockwise. Wipe the exterior of your sprayer with a cloth if any spillage occurred while filling.

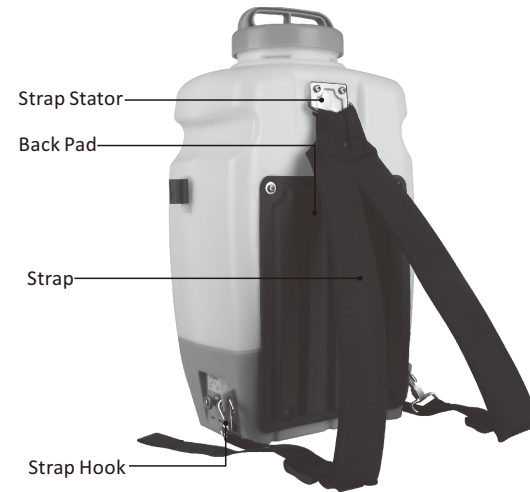
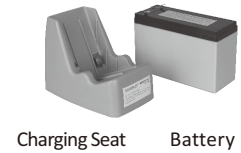
## TURN ON THE POWER

1. Each sprayer has a power switch, some models equipped with a flow control switch.
2. Turn on the power, squeeze the hand lever to begin spraying, release the hand lever to stop. The pump stop working at the same time. When the tank runs out of liquid, the pump will continue to run, when this occurs simply turn off the power. To reduce operator's fatigue, the hand lever features a locking mechanism that allows the handle to be locked anytime.

16L SPRAYER PICTURES



20L SPRAYER PICTURES



## TURN OFF THE POWER

Turn off the power, point the spray wand at a safe place and squeeze the hand lever to release the residual liquid.

## TRANSPORTATION

When transporting your sprayer, be sure that the power is off. Always put the sprayer in an upright position, protect the hose from sharp objects and never transport your sprayer with harmful chemicals in the tank.

## CLEANING AND STORAGE

After each use, add fresh water, open the power switch and squeeze the hand lever to clear any debris from the tank, pump, hose and strainer.

Please strictly follow the chemical manufacturer's instructions, or it may cause personal injury and environmental contamination when cleaning the tank. When using the lotion, please follow the instructions strictly. When cleaning the medicine barrel, letting the spray lance facing a safe direction, so you can wash the hose and nozzle.

Store the sprayer in a shade place where children cannot reach. When putting the sprayer in a cold environment, you must discharge all the liquids in the tank to protect the sprayer!

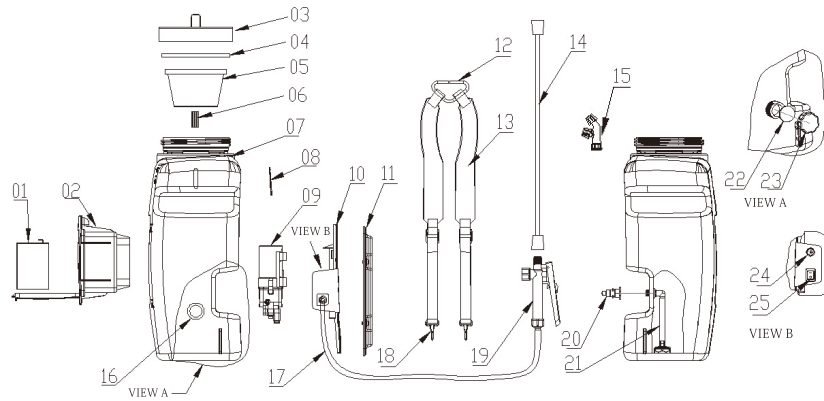
## SPECIFICATION AND PERFORMANCE

Model	SFESR-16A-01	SFESR-16B-01
Capacity	16L	16L
Pump	2.6LPM/ 70PSI	2.6LPM/ 70PSI
Battery	12V 4A	12V 4A
Charger	14V 1A	14V 1A
Hose	1.2M	1.2M
Regulating Valve	○	○
Pressure Switch	●	○
Reflux Switch	○	●
Charger Seat	●	●
Handel Switch	●	●
Spray Lance	●	●
Fan Nozzle	●	●
Dual Nozzle	●	●

Model	SFESR-20A-01	SFESR-20B-01
Capacity	20L	20L
Pump	2.6LPM/ 70PSI	2.6LPM/ 70PSI
Battery	12V 7A	12V 7A
Charger	14V 2A	14V 2A
Hose	1.2M	1.2M
Regulating Valve	●	○
Pressure Switch	●	○
Reflux Switch	○	●
Charger Seat	●	●
Handel Switch	●	●
Spray Lance	●	●
Fan Nozzle	●	●
Dual Nozzle	●	●

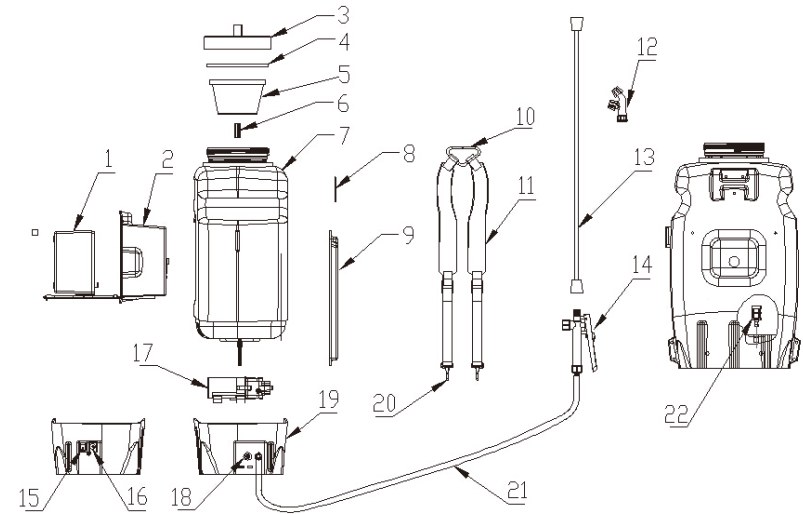
● — "YES" , ○ — "NO"

**SFESR-16A-01 EXPLODE DRAWING**



No.	Name	Description	Quantity
01	Battery	DC 12V,4HA	1
02	Battery Case Components	PP	1
03	Lid	PP	1
04	Seal	EVA	1
05	Filter	PP+Stainless steel	1
06	Spray Lance Clamp	pp	1
07	Medicine Barrel	PE	1
08	Strap Stator	Stainless steel	1
09	Diaphragm Pump		1
10	Barrel Cover	PP	1
11	Back Pad	PE	1
12	Triangle Ring	Nickel-plated steel	1
13	Strap		2
14	Spray Lance	AL	1
15	Spray Nozzle		1
16	Outlet		1
17	High-pressure Hose	PE	3
18	Strap Hook	Stainless Steel	2
19	Handle Switch		1
20	Tower-type Connector Components		1
21	Filter Components	Stainless Steel	4
22	Rubber Drain Components		1
23	Drain Cap	ABS	1
24	Dc-socket		1
25	Power Switch		1

**SFESR-20A-01 EXPLODE DRAWING**



No.	Name	Description	Quantity
01	Battery	DC 12V,4HA	1
02	Battery Case Components	pp	1
03	Lid	pp	1
04	Seal	EVA	1
05	Filter	pp,Stainless Steel	1
06	Spray Lance Clamp	PP	1
07	Medicine Barrel	PE	1
08	Strap Stator	Stainless Steel	1
09	Back Pad	PE	1
10	Triangle Ring	Nickel-Plated Steel	1
11	Strap		2
12	Nozzle	AL	1
13	Spray Lance		1
14	Handel Switch		1
15	Power Switch		1
16	DC-Socket		1
17	Diaphragm Pump		1
18	Pressure Regulating Valve		1
19	Base Housing		1
20	Strap Hook		1
21	High-Pressure Hose	PE	1
22	Stainer		1

## TROUBLE SHOOTING

Trouble	Cause	Solution
Turn power on, but the pump doesn't run	Disconnection of power wire	Reconnect the power wire
	No power source	Recharge the battery
	Damaged power switch	Replace the power switch
Noise occur in the pump	Looseness of screws	Tighten the screws
Pump leaks	Pump hose connections lost or broken	Remove the base, tighten hose clips
Bad mist	Nozzles blocked	Clear the debris in the nozzles
	Nozzles worn,o-ring worn	Replace the nozzles or O-ring
	Gasket in the opposite position	Replace into the right position
	Strainer clogged	Fully clean the strainer
	Disconnection of hoses	Reinstall the hose to the machine
	Weak power source	Charge or replace a new battery
Pump starts frequently	Nozzles clogged	Inspect the pipes, clean residues, change new nozzles
	Looseness or worn of discharge hose	Tighten the pipes clip and nut
	Debris exist in the valves	Clear the debris, replace the valves
	Too low flow of the nozzles	Reduce the flow rate

## WARRANTY NOTICE

- 1.This sprayer is warranted to be free of defects in material and workmanship under normal use, for a period of one year from the date of purchase.
- 2.The warranty will void if improperly installed, misapplied, damaged, altered and incompatible with unapproved components.
- 3.We should not be liable for freight damage incurred during shipping.
- 4.We should not pay charges for the maintenance caused by any improper use.
- 5.We reserve the right to test the chemical components.